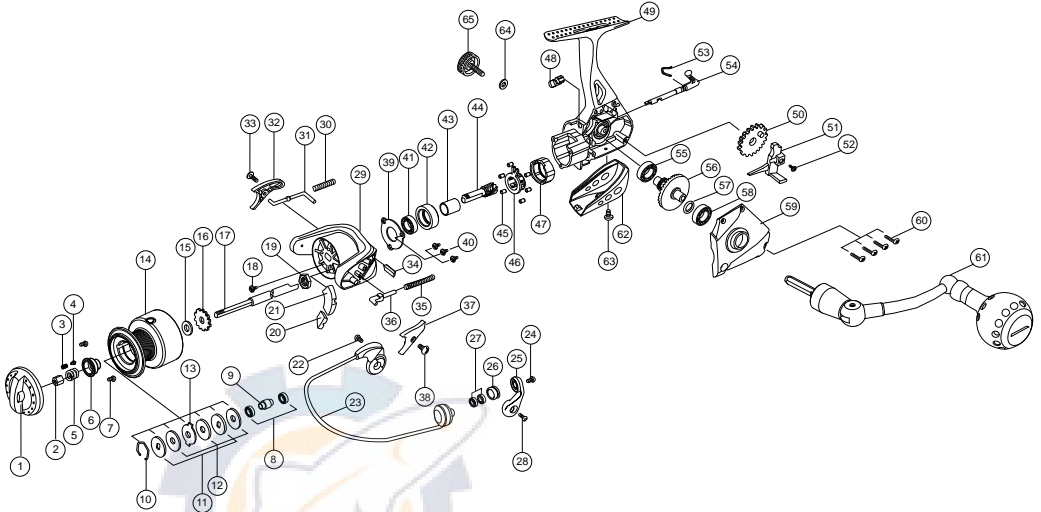




## DIAGRAM



## PART LIST

No.	Part List	No.	Part List	No.	Part List
1.	Drag Knob	23.	Bail Assy	45.	One Way Pin Roller
2.	Drag Nut	24.	Bail s/c	46.	One Way Pin Roller Retainer
3.	Drag Click Spring	25.	Arm Lever	47.	One Way Housing
4.	Drag Click Pin	26.	Line Roller	48.	One Way Cam
5.	Drag Coil Spring	27.	Ball Bearing 5 x 8 x 2.5	49.	Body
6.	Drag Under Cap	28.	Arm Lever s/c	50.	O/S Gear
7.	Drag Under Cap s/c	29.	Rotor	51.	O/S Slider
8.	Ball Bearing 5 x 9 x 3	30.	Kick Lever s/p	52.	Main Shaft s/c
9.	Spool Bushing	31.	Kick Lever	53.	Stopper Lever s/p
10.	Spool Ring	32.	Kick Lever Cover	54.	Stopper Lever
11.	Spool "D" w/s	33.	Kick Lever Cover s/c	55.	Ball Bearing 8 x 14 x 4
12.	Spool "B" w/s	34.	Side Balance	56.	Drive Gear
13.	Spool "A" w/s	35.	Bail s/p	57.	Drive Gear Adj. w/s
14.	Spool Assy	36.	Bail s/p Holder	58.	Ball Bearing 8 x 14 x 4
15.	Spool Adj. w/s	37.	Bail s/p Cover	59.	Body Cover
16.	Click Gear	38.	Bail s/p Cover s/c	60.	Body Cover s/c
17.	Main Shaft	39.	One Way B/B Cover	61.	Handle Assy
18.	Rotor Nut Lock s/c	40.	Ball Bearing Cover s/c	62.	Body Under Cap
19.	Rotor Nut	41.	Ball Bearing 8 x 14 x 4	63.	Body Under Cap s/c
20.	Center Balance	42.	Ball Bearing Holder	64.	Dust Cover w/s
21.	Center Balance	43.	One Way Sleeve	65.	Dust Cover
22.	Bail Holder s/c	44.	Pinion Gear		