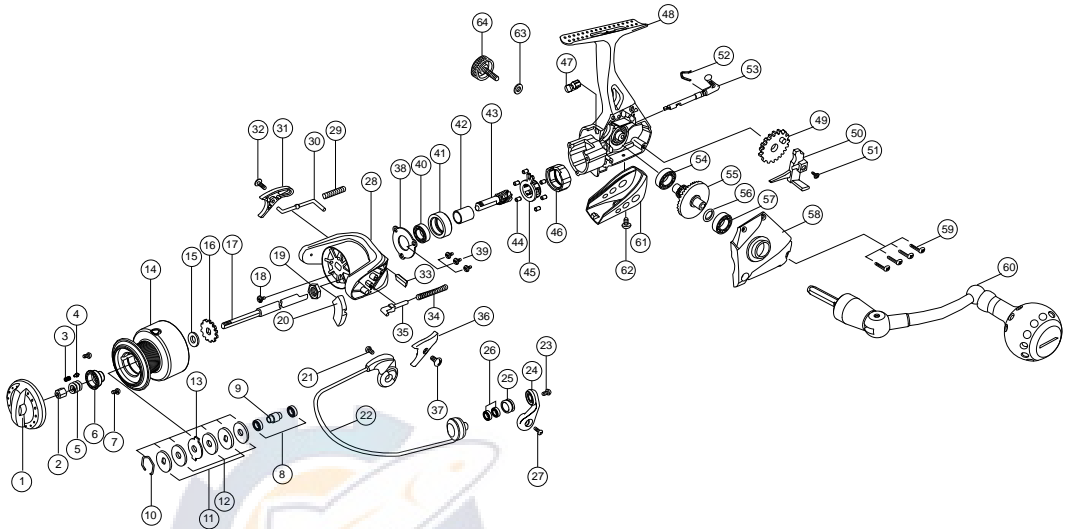


EXPAND

DIAGRAM



PART LIST

No.	Part List	No.	Part List	No.	Part List
1.	Drag Knob	23.	Bail s/c	45.	One Way Pin Roller Retainer
2.	Drag Nut	24.	Arm Lever	46.	One Way Housing
3.	Drag Click Spring	25.	Line Roller	47.	One Way Cam
4.	Drag Click Pin	26.	Ball Bearing 5 x 8 x 2.5	48.	Body
5.	Drag Coil Spring	27.	Arm Lever s/c	49.	O/S Gear
6.	Drag Under Cap	28.	Rotor	50.	O/S Slider
7.	Drag Under Cap s/c	29.	Kick Lever s/p	51.	Main Shaft s/c
8.	Ball Bearing 5 x 9 x 3	30.	Kick Lever	52.	Stopper Lever s/p
9.	Spool Bushing	31.	Kick Lever Cover	53.	Stopper Lever
10.	Spool Ring	32.	Kick Lever Cover s/c	54.	Ball Bearing 8 x 14 x 4
11.	Spool "D" w/s	33.	Side Balance	55.	Drive Gear
12.	Spool "B" w/s	34.	Bail s/p	56.	Drive Gear Adj. w/s
13.	Spool "A" w/s	35.	Bail s/p Holder	57.	Ball Bearing 8 x 14 x 4
14.	Spool Assy	36.	Bail s/p Cover	58.	Body Cover
15.	Spool Adj. w/s	37.	Bail s/p Cover s/c	59.	Body Cover s/c
16.	Click Gear	38.	One Way B/B Cover	60.	Handle Assy
17.	Main Shaft	39.	Ball Bearing Cover s/c	61.	Body Under Cap
18.	Rotor Nut Lock s/c	40.	Ball Bearing 8 x 14 x 4	62.	Body Under Cap s/c
19.	Rotor Nut	41.	Ball Bearing Holder	63.	Dust Cover w/s
20.	Center Balance	42.	One Way Sleeve	64.	Dust Cover
21.	Bail Holder s/c	43.	Pinion Gear		
22.	Bail Assy	44.	One Way Pin Roller		