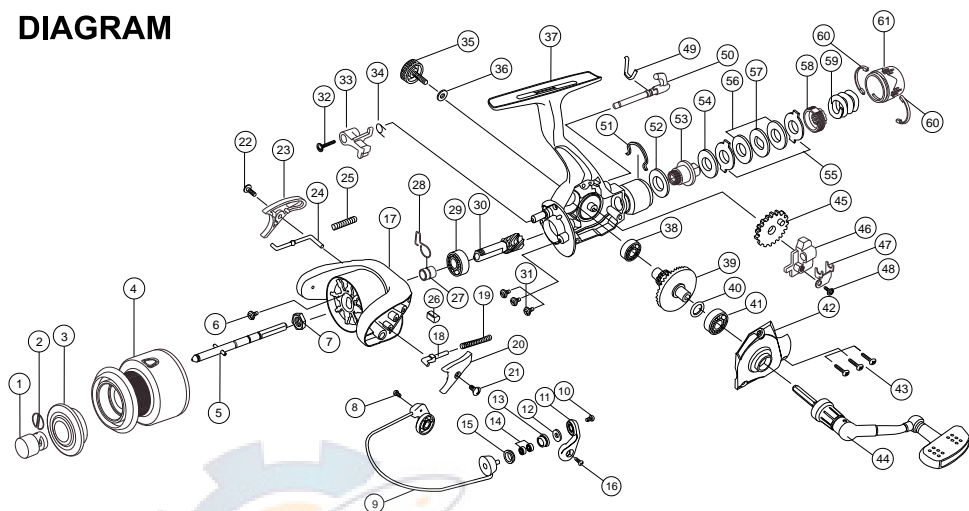


## DIAGRAM



## PART LIST

No.	Part List	No.	Part List	No.	Part List
1.	Push Button	22.	Kick Lever Cover s/c	43.	Body Cover s/c
2.	Spool Lock Spring	23.	Kick Lever Cover	44.	Handle Assy
3.	Spool Cap	24.	Kick Lever	45.	O/S Gear
4.	Spool Assy	25.	Kick Lever Spring	46.	O/S Slider
5.	Main Shaft Assy	26.	Side Balance	47.	O/S Slider Stopper
6.	Rotor Nut Lock s/c	27.	Silent Spring Holder	48.	O/S Slider Stopper s/c
7.	Rotor Nut	28.	Silent Spring	49.	Stopper Lever s/p
8.	Bail Holder s/c	29.	Ball Bearing 7 x 13 x 4	50.	Stopper Lever
9.	Bail Assy	30.	Pinion Gear	51.	Back Click Claw
10.	Bail s/c	31.	Pinion Bearing s/c	52.	Washer "E" (RD)
11.	Arm Lever	32.	Stopper s/c	53.	Main Shaft Holder
12.	Bail w/s	33.	Stopper	54.	Washer "B" Asbestos (RD)
13.	Line Roller	34.	Stopper Spring	55.	Drag "A" w/s (RD)
14.	Ball Bearing 4 x 7 x 2.5	35.	Dust Cover	56.	Drag "B" w/s (RD)
15.	Line Roller Bush	36.	Dust Cover w/s	57.	Drag "D" w/s (RD)
16.	Arm Lever s/c	37.	Body	58.	Rear Drag Slider
17.	Rotor	38.	Ball Bearing 7 x 11 x 2.5	59.	Rear Drag Coil s/p
18.	Bail Spring Holder	39.	Drive Gear	60.	Rear Drag Knob Retainer
19.	Bail Spring	40.	Drive Gear Adj. w/s	61.	Rear Drag Knob
20.	Bail Spring Cover	41.	Ball Bearing 7 x 13 x 4		
21.	Bail Spring Cover s/c	42.	Body Cover Assy		