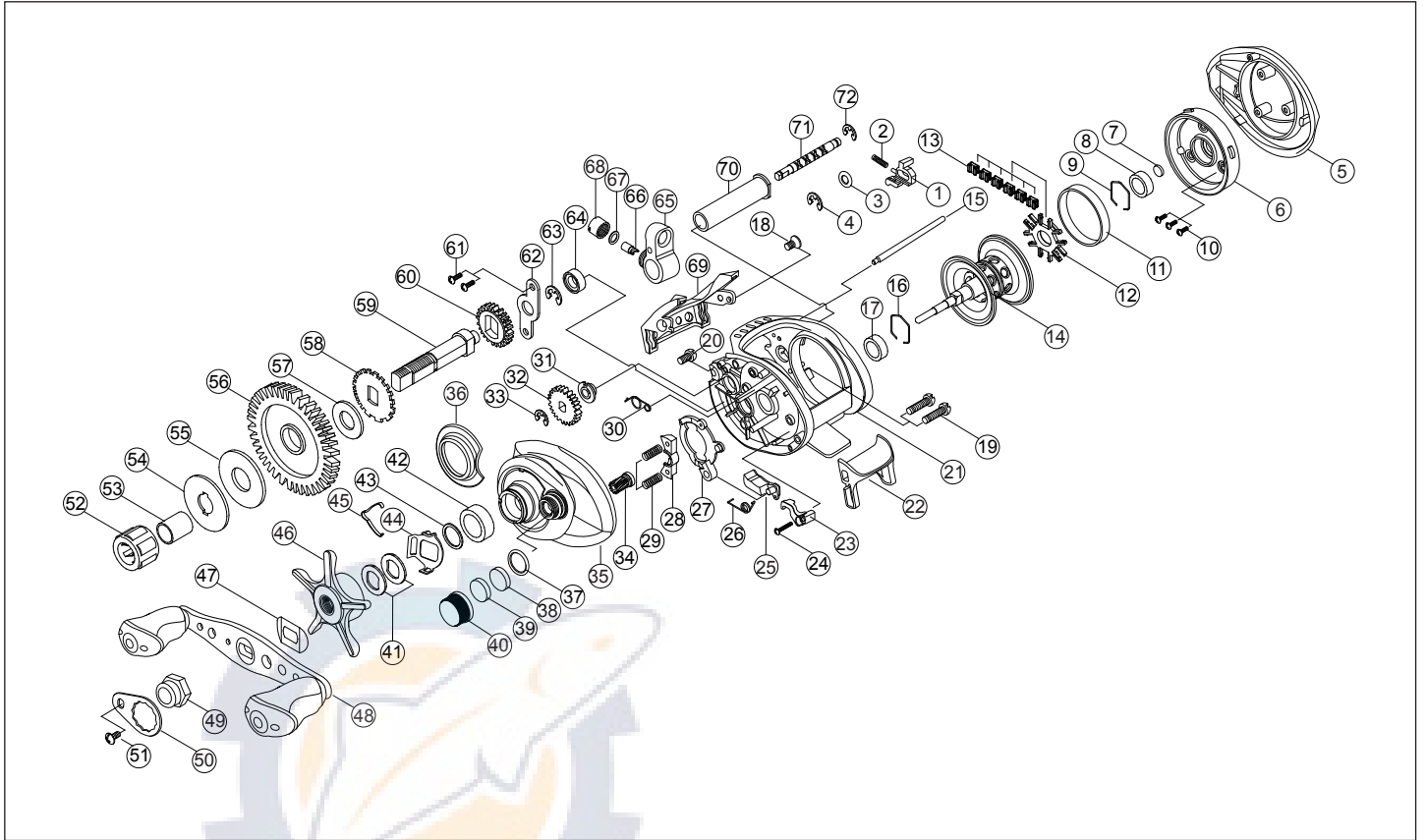


INNOVA



PART LIST

- | | | | |
|---------------------------|-------------------------|---------------------------------|--------------------------------|
| 1. Locker | 19. Side Cover Screw | 37. Tension Knob "O" Ring | 55. "B" Washer |
| 2. Locker Spring | 20. Frame Screw | 38. Tension Knob BCL Washer | 56. Drive Gear |
| 3. Locker Washer | 21. Frame | 39. Tension Knob Rubber Washer | 57. Ratchet Washer |
| 4. Locker "E" Clip | 22. Thumb Bar | 40. Tension Knob | 58. Ratchet |
| 5. Palm Cover | 23. Thumb Bar Lever | 41. Spring Washer | 59. Crank Shaft |
| 6. Spool Cover | 24. Thumb Bar Screw | 42. Ball Bearing (8x14x4) | 60. Crank Shaft Gear |
| 7. Spool Cover Washer | 25. Release | 43. Adjust Washer | 61. Crank Shaft Retainer Screw |
| 8. Ball Bearing (5x11x4) | 26. Release Spring | 44. Clicker Holder | 62. Crank Shaft Retainer |
| 9. Hexagon Ring | 27. Yoke Cam | 45. Clicker | 63. Crank Shaft "E" Clip |
| 10. Spool Cover Screw | 28. Pinion Yoke | 46. Star Drag | 64. Ball Bearing (5x9x3) |
| 11. Brake Ring | 29. Yoke Spring | 47. Leaf Spring | 65. Line Guide Carrier |
| 12. Shoe Guide | 30. Yoke Cam Spring | 48. Handle Ass'y | 66. Pawl |
| 13. Brake Shoe | 31. Worm Shaft Bush | 49. Handle Nut | 67. Pawl Washer |
| 14. Spool Ass'y | 32. Worm Shaft Gear | 50. Handle Nut Lock Plate | 68. Pawl Cap |
| 15. Line Guide bar | 33. Worm Shaft "E" Clip | 51. Handle Nut Lock Plate Screw | 69. Hood |
| 16. Hexagon Ring | 34. Pinion Gear | 52. One way Bearing | 70. Carrier Guide |
| 17. Ball Bearing (5x11x4) | 35. Gear Cover | 53. One way Sleeve | 71. Worm Shaft |
| 18. Hood Screw | 36. Decoration Cap | 54. "D" Washer | 72. Worm Shaft "E" Clip |