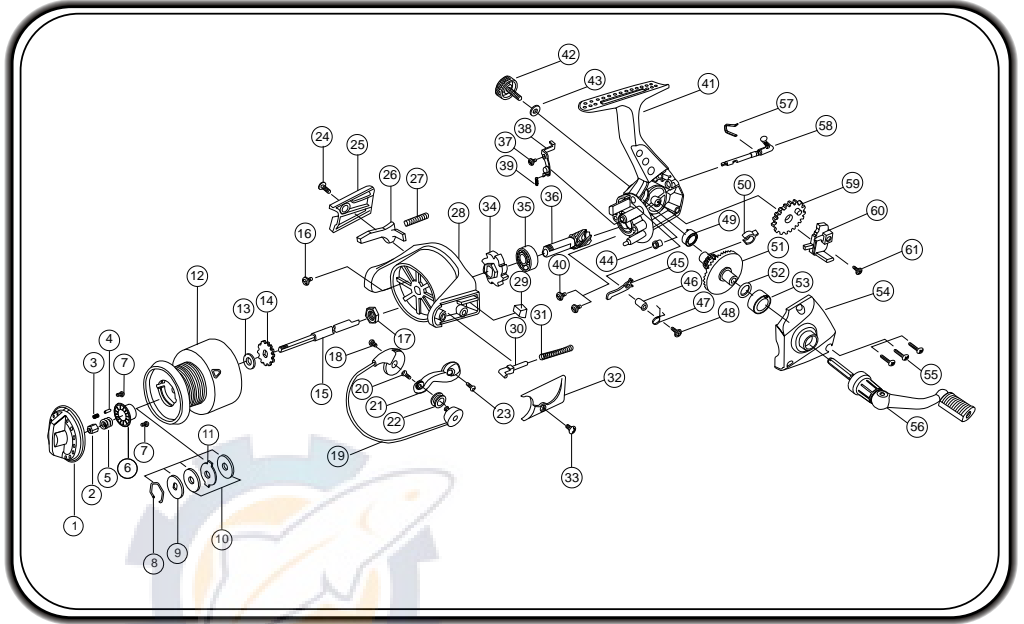


OSSU

DIAGRAM



Part List

| No. | Part List | No. | Part List |
|-----|----------------------|-----|-------------------------|
| 1. | Drag Knob | 32. | Bail Spring Cover |
| 2. | Drag Nut | 33. | Bail Spring Cover s/c |
| 3. | Drag Click Spring | 34. | Ratchet |
| 4. | Drag Click Pin | 35. | Ball Bearing 7 x 13 x 4 |
| 5. | Drag Coil Spring | 36. | Pinion Gear |
| 6. | Drag Under Cap | 37. | Sound Frame s/c |
| 7. | Drag Under Cap s/c | 38. | Sound Frame Assy |
| 8. | Spool Ring | 39. | Sound Claw Spring |
| 9. | Spool "D" w/s | 40. | Bearing s/c |
| 10. | Spool "B" w/s | 41. | Body |
| 11. | Spool "A" w/s | 42. | Dust Cover |
| 12. | Spool Assy | 43. | Dust Cover w/s |
| 13. | Spool Adj. w/s | 44. | Main Shaft Bush |
| 14. | Click Gear | 45. | Stopper |
| 15. | Main Shaft | 46. | Stopper Bushing |
| 16. | Rotor Nut Lock s/c | 47. | Stopper Spring |
| 17. | Rotor Nut | 48. | Stopper s/c |
| 18. | Bail Holder s/c | 49. | Body Bushing |
| 19. | Bail Assy | 50. | Silent Cam |
| 20. | Bail s/c | 51. | Drive Gear |
| 21. | Arm Lever | 52. | Drive Gear Adj. w/s |
| 22. | Line Roller | 53. | Body Cover Bushing |
| 23. | Arm Lever s/c | 54. | Body Cover |
| 24. | Kick Lever Cover s/c | 55. | Body Cover s/c |
| 25. | Kick Lever Cover | 56. | Handle Assy |
| 26. | Kick Lever | 57. | Stopper Lever Spring |
| 27. | Kick Lever Spring | 58. | Stopper Lever |
| 28. | Rotor | 59. | O/S Gear |
| 29. | Balance | 60. | O/S Slider |
| 30. | Bail Spring Holder | 61. | Main Shaft s/c |
| 31. | Bail Spring | | |