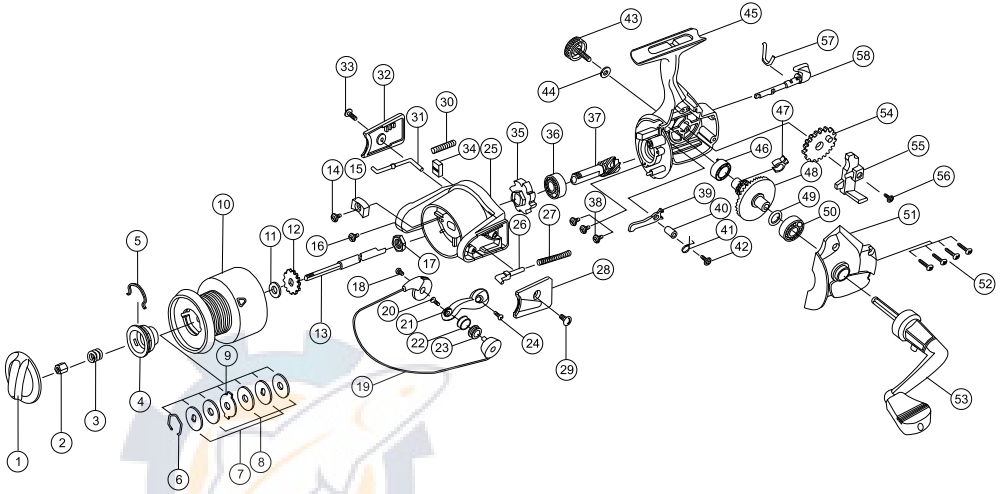


DIAGRAM



PART LIST

No.	Part List	No.	Part List	No.	Part List
1.	Drag Knob	21.	Arm Lever	41.	Stopper s/p
2.	Drag Nut	22.	Line Roller	42.	Stopper s/c
3.	Drag Coil Spring	23.	Line Roller Bush	43.	Dust Cover
4.	Drag Under Cap	24.	Arm Lever s/c	44.	Dust Cover w/s
5.	Drag Click Claw	25.	Rotor	45.	Body
6.	Spool Ring	26.	Bail s/p Holder	46.	Body Bushing
7.	Spool "D" w/s	27.	Bail s/p	47.	Silent Cam
8.	Spool "B" w/s	28.	Bail s/p Cover	48.	Drive Gear
9.	Spool "A" w/s	29.	Bail s/p Cover s/c	49.	Drive Gear Adj. w/s
10.	Spool Assy	30.	Kick Lever s/p	50.	Ball Bearing 8 x 14 x 4
11.	Spool Adj. w/s	31.	Kick Lever	51.	Body Cover
12.	Click Gear	32.	Kick Lever Cover	52.	Body Cover s/c
13.	Main Shaft	33.	Kick Lever Cover s/c	53.	Handle Assy
14.	Balance s/c	34.	Side Balance	54.	O/S Gear
15.	Center Balance	35.	Ratchet	55.	O/S Slider
16.	Rotor Nut Lock s/c	36.	Ball Bearing 8 x 14 x 4	56.	Main Shaft s/c
17.	Rotor Nut	37.	Pinion Gear	57.	Stopper Lever s/p
18.	Bail Holder s/c	38.	Pinion Bearing s/c	58.	Stopper Lever
19.	Bail Assy	39.	Stopper		
20.	Bail s/c	40.	Stopper Bush		