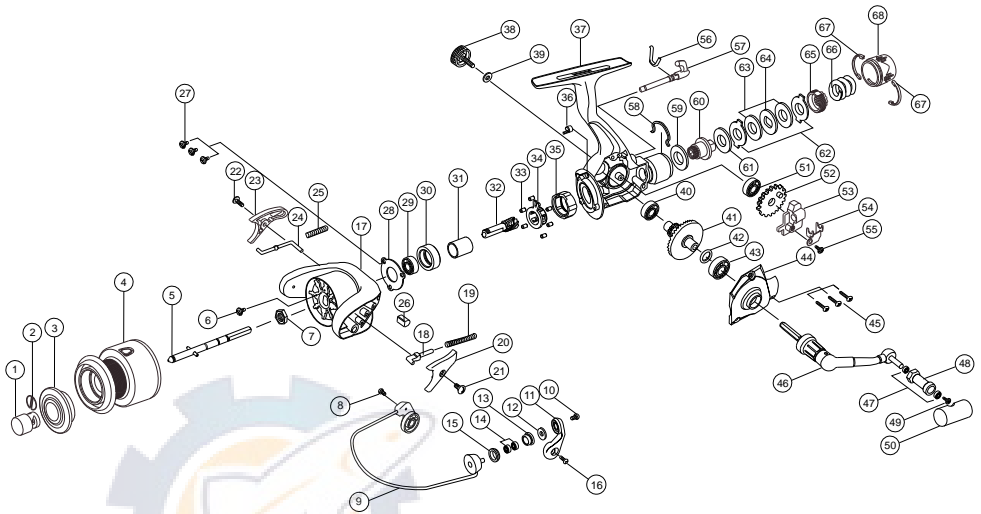


# Spectra

## DIAGRAM



## PART LIST

No.	Part List	No.	Part List	No.	Part List
1.	Push Button	24.	Kick Lever	47.	Ball Bearing 4 x 7 x 2.5
2.	Spool Lock Spring	25.	Kick Lever Spring	48.	Handle Knob Stand
3.	Spool Cap	26.	Side Balance	49.	Handle s/c
4.	Spool Assy	27.	Ball Bearing Cover s/c	50.	Handle Knob Wood
5.	Main Shaft Assy	28.	Ball Bearing Cover	51.	Ball Bearing 5.5 x 10 x 2.5
6.	Rotor Nut Lock s/c	29.	Ball Bearing 7 x 13 x 4	52.	O/S Gear
7.	Rotor Nut	30.	Ball Bearing Holder	53.	O/S Slider
8.	Bail Holder s/c	31.	One Way Sleeve	54.	O/S Slider Stopper
9.	Bail Assy	32.	Pinion Gear	55.	O/S Slider Stopper s/c
10.	Bail s/c	33.	One Way Pin Roller	56.	Stopper Lever s/p
11.	Arm Lever	34.	One Way Pin Retainer	57.	Stopper Lever
12.	Bail w/s	35.	One Way Housing	58.	Back Click Claw
13.	Line Roller	36.	One Way Cam	59.	Washer "E" (RD)
14.	Ball Bearing 4 x 7 x 2.5	37.	Body	60.	Main Shaft Holder
15.	Line Roller Bush	38.	Dust Cover	61.	Washer "B" Absbestos (RD)
16.	Arm Lever s/c	39.	Dust Cover w/s	62.	Drag "A" w/s (RD)
17.	Rotor	40.	Ball Bearing 7 x 11 x 2.5	63.	Drag "B" w/s (RD)
18.	Bail Spring Holder	41.	Drive Gear	64.	Drag "D" w/s (RD)
19.	Bail Spring	42.	Drive Gear Adj. w/s	65.	Rear Drag Slider
20.	Bail Spring Cover	43.	Ball Bearing 7 x 13 x 4	66.	Rear Drag Coil s/p
21.	Bail Spring Cover s/c	44.	Body Cover Assy	67.	Rear Drag Knob Retainer
22.	Kick Lever Cover s/c	45.	Body Cover s/c	68.	Rear Drag Knob
23.	Kick Lever Cover	46.	Handle Assy		