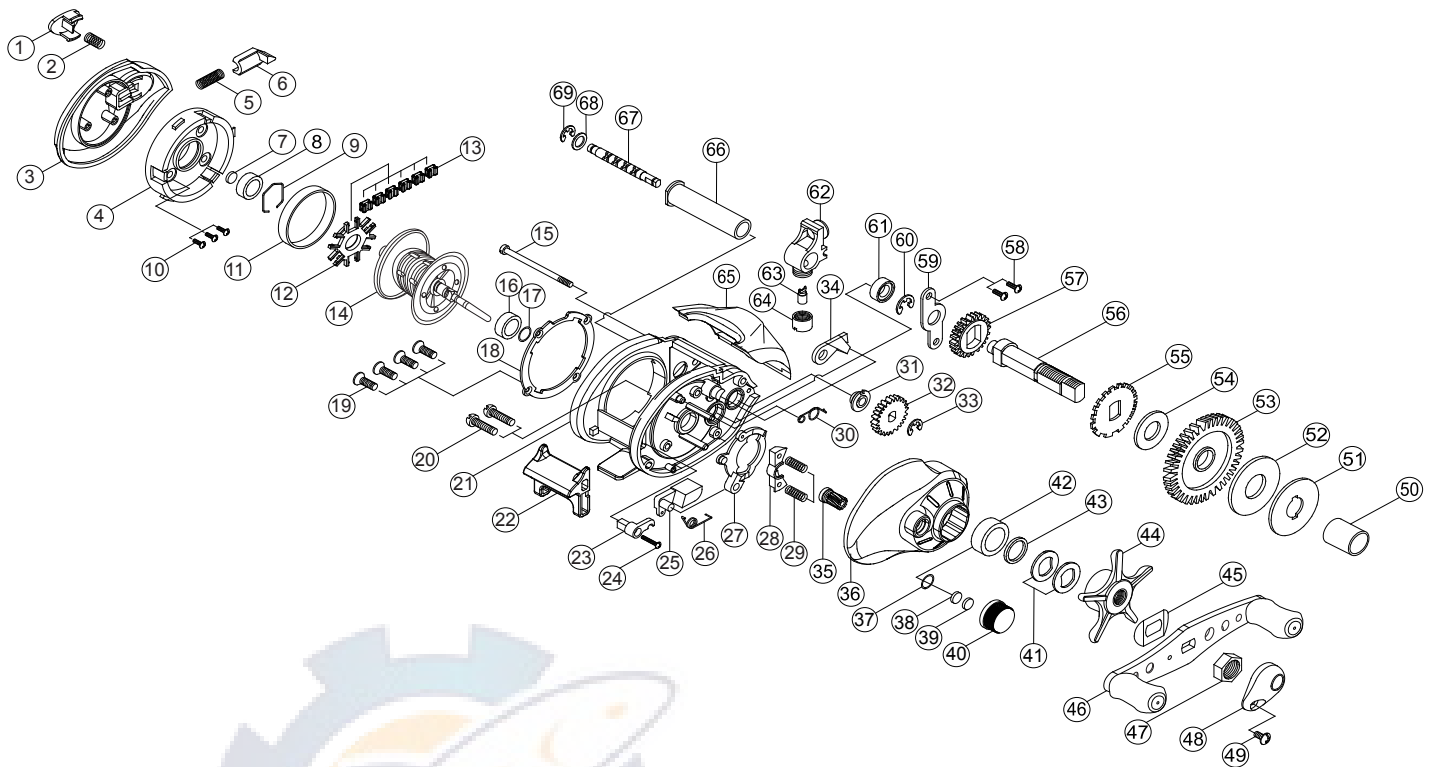


SPHINX



PART LIST

1. Button	15. Line Guide Screw	29. Yoke Spring	43. Adjust Ring	57. Crank Shaft Gear
2. Button Spring	16. Ball Bearing (5x11x4)	30. Clutch Spring	44. Star Drag	58. Crank Retainer Screw
3. Button Side Cover	17. "O" Ring	31. Worm Shaft Bush	45. Leaf Spring	59. Crank Shaft Retainer
4. Spool Cover	18. Spool Cover Retainer	32. Worm Shaft Gear	46. Handle Ass'y	60. Crank Shaft "E" Clip
5. Locker Spring	19. Spool Cover Screw	33. Worm Shaft "E" Clip	47. Handle Nut	61. Bushing (5x9x3)
6. Locker	20. Side Cover Screw	34. Stopper	48. Handle Nut Cap	62. Line Guide Carrier
7. Spool Cover Washer	21. Frame	35. Pinion Gear	49. Handle Nut Cap Screw	63. Pawl
8. Ball Bearing (5x11x4)	22. Thumb Bar	36. Handle Side Cover	50. Crank Shaft Sleeve	64. Pawl Cap
9. Hexagon Ring	23. Thumb Bar Lever	37. Tension Knob "O" Ring	51. "D" Washer	65. Hood
10. Spool Cover Screw	24. Thumb Bar Screw	38. Tension Knob BCL Washer	52. "B" Washer	66. Carrier Guide
11. Brake Ring	25. Releaser	39. Tension Knob Rubber Washer	53. Drive Gear	67. Worm Shaft
12. Shoe Guide	26. Releaser Spring	40. Tension Knob	54. Ratchet Washer	68. Worm Shaft Washer
13. Brake Shoe	27. Clutch	41. Spring Washer	55. Ratchet	69. Worm Shaft "E" Clip
14. Spool Ass'y	28. Pinion Yoke	42. Ball Bearing (8x14x4)	56. Crank Shaft	