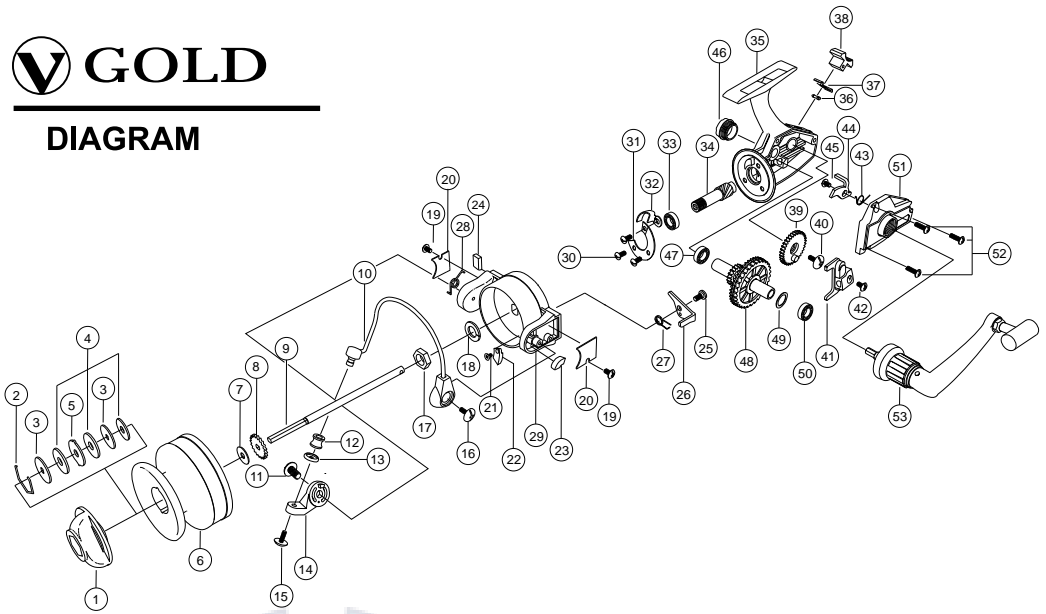


## DIAGRAM



## PART LIST

No.	Part List	No.	Part List
1.	Drag Knob Assy	28.	Bail s/p
2.	Spool Ring	29.	Rotor
3.	Spool "D" w/s	30.	Ball Bearing Cover s/c
4.	Spool "B" w/s	31.	Bearing Plate
5.	Spool "A" w/s	32.	Kick Lever Guide
6.	Spool Assy	33.	Ball Bearing 9 x 20 x 6
7.	Spool Adj. w/s	34.	Pinion Gear
8.	Click Gear	35.	Body Assy
9.	Main Shaft	36.	Anti Reverse Lever Pin
10.	Bail Assy	37.	Anti Reverse Lever Plate s/p
11.	Arm Lever s/c	38.	Anti Reverse Lever
12.	Line Roller	39.	O/S Gear
13.	Bail Collar	40.	O/S Gear s/c
14.	Arm Lever	41.	O/S Slider
15.	Bail s/c	42.	Main Shaft s/c
16.	Bail Holder s/c	43.	Anti Reverse Claw s/p
17.	Rotor Nut	44.	Anti Reverse Claw
18.	Rotor Nut Lock Spring w/s	45.	Anti Reverse Claw s/c
19.	Rotor Cover s/c	46.	Handle Screw Cap
20.	Rotor Cover	47.	Bearing 9 x 17 x 5
21.	Center Balance s/c	48.	Drive Gear Assy
22.	Center Balance	49.	Drive Gear adj. w/s
23.	Bail Holder Balance	50.	Ball Bearing 9 x 17 x 5
24.	Side Balance	51.	Body Cover Assy
25.	Kick Lever s/c	52.	Body Cover s/c
26.	Kick Lever	53.	Handle Assy
27.	Kick Lever s/p		