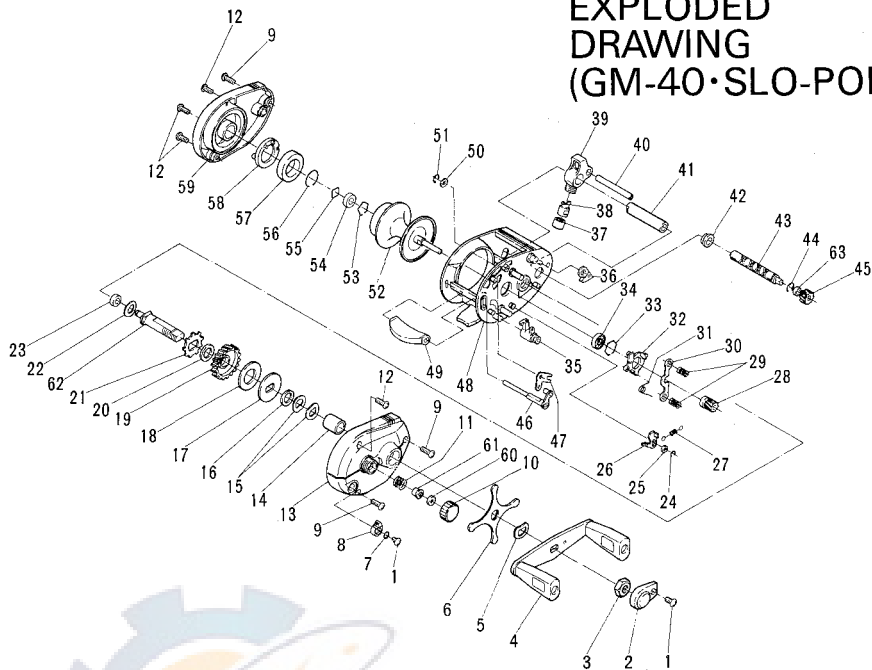


EXPLODED  
DRAWING  
(GM-40·SLO-POKE)



PART LIST (GM-40·SLO-POKE)

No.	Parts No.	Name of Parts	No.	Parts No.	Name of Parts	No.	Parts No.	Name of Parts
1	20056A	Retaining Plate Screw	23	38067	Bush	45	10161	Traverse Cam Gear
2	39457	Retaining Plate	24	42007	Retaining Ring	46	0215358	Lever A Assembly
3	18076	Handle Retaining Nut	25	27397	Washer	47	15359	Lever B
4	0207205	Handle Assembly	26	33185	Kick Claw	48	0203166	Main Body Assembly
5	27154	Spring Washer	27	28529	Kick Claw Spring	49	15357	Push Lever
6	07206	Drag Handle	28	0209208	Pinion Gear Assembly	50	27221	Washer
7	27237	Retaining Washer	29	28523	Clutch Spring	51	42021	Retaining Ring
8	15320A	Flipping Lever	30	15328	Clutch Bar	52	0206190A	Spool Assembly
9	20230	Screw	31	28528	Clutch Spring	53	42031	Retaining Ring
10	19321	Brake Adjusting Screw	32	14145	Clutch Cam	54	38076	Bush
11	28530	Brake Adjusting Spring	33	42040	Retaining Ring	55	39230	Brake Piece
12	20238	Screw	34	38047	Ball Bearing	56	42032	Retaining Ring
13	04209C	Side Plate B	35	14146	Flipping Cam	57	0239410	Magnet A Assembly
14	17169	Drag Collar	36	0233155	Anti-Reverse Claw Assembly	58	39317	Magnet Attachment
15	27156	Drag Spring Washer	37	19167A	Cap	59	0204214B	Side Plate A Assembly
16	27061	Adjusting Washer	38	33183	Claw	60	28505	Brake Spring
17	26098	Drag Washer	39	0239458	Line Holder Assembly	61	39499	Brake Piece A
18	26097	Drag Washer	40	12453	Line Holder Bar	62	12491	Ratchet Axis
19	08177	Main Gear	41	41175	Traverse Cam Cover	63	17205	Collar
20	27198	Washer	42	38032	Bush			
21	48045	Ratchet	43	14149	Traverse Cam			
22	27157	Adjusting Washer	44	42009	Retaining Ring			