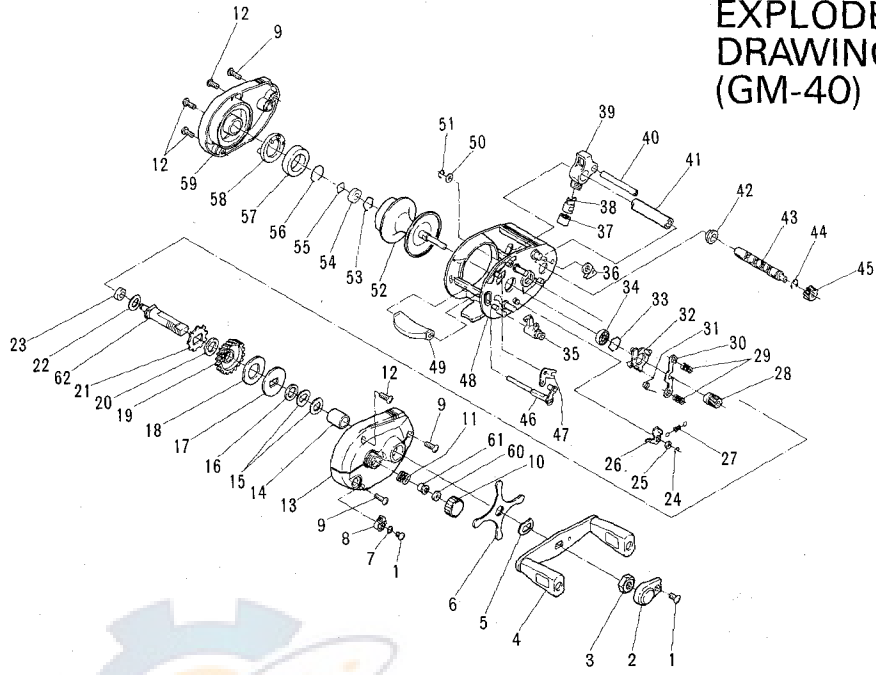


EXPLODED
DRAWING
(GM-40)



PART LIST (GM-40)

| No. | Parts No. | Name of Parts | No. | Parts No. | Name of Parts | No. | Parts No. | Name of Parts |
|-----|-----------|------------------------|-----|-----------|----------------------------|-----|-----------|-----------------------|
| 1 | 20056A | Retaining Plate Screw | 23 | 38067 | Bush | 45 | 10118 | Traverse Cam Gear |
| 2 | 39457 | Retaining Plate | 24 | 42007 | Retaining Ring | 46 | 0215358 | Lever A Assembly |
| 3 | 18076 | Handle Retaining Nut | 25 | 27397 | Washer | 47 | 15359 | Lever B |
| 4 | 0207205 | Handle Assembly | 26 | 33185 | Kick Claw | 48 | 0203166 | Main Body Assembly |
| 5 | 27154 | Spring Washer | 27 | 28529 | Kick Claw Spring | 49 | 15357 | Push Lever |
| 6 | 07206 | Drag Handle | 28 | 0209091 | Pinion Gear Assembly | 50 | 27221 | Washer |
| 7 | 27237 | Retaining Washer | 29 | 28523 | Clutch Spring | 51 | 42021 | Retaining Ring |
| 8 | 15320A | Flipping Lever | 30 | 15328 | Clutch Bar | 52 | 0206190A | Spool Assembly |
| 9 | 20230 | Screw | 31 | 28528 | Clutch Spring | 53 | 42031 | Retaining Ring |
| 10 | 19321 | Brake Adjusting Screw | 32 | 14145 | Clutch Cam | 54 | 38076 | Bush |
| 11 | 28530 | Brake Adjusting Spring | 33 | 42040 | Retaining Ring | 55 | 39230 | Brake Piece |
| 12 | 20238 | Screw | 34 | 38047 | Ball Bearing | 56 | 42032 | Retaining Ring |
| 13 | 04209 A | Side Plate B | 35 | 14146 | Flipping Cam | 57 | 0239410 | Magnet A Assembly |
| 14 | 17169 | Drag Collar | 36 | 0233155 | Anti-Reverse Claw Assembly | 58 | 39317 | Magnet Attachment |
| 15 | 27156 | Drag Spring Washer | 37 | 19167A | Cap | 59 | 0204214 | Side Plate A Assembly |
| 16 | 27061 | Adjusting Washer | 38 | 33183 | Claw | 60 | 28505 | Brake Spring |
| 17 | 26098 | Drag Washer | 39 | 0239458 | Line Holder Assembly | 61 | 39499 | Brake Piece A |
| 18 | 26097 | Drag Washer | 40 | 12453 | Line Holder Bar | 62 | 12491 | Ratchet Axis |
| 19 | 08076 | Main Gear | 41 | 41175 | Traverse Cam Cover | | | |
| 20 | 27198 | Washer | 42 | 38032 | Bush | | | |
| 21 | 48045 | Ratchet | 43 | 14149 | Traverse Cam | | | |
| 22 | 27157 | Adjusting Washer | 44 | 42009 | Retaining Ring | | | |