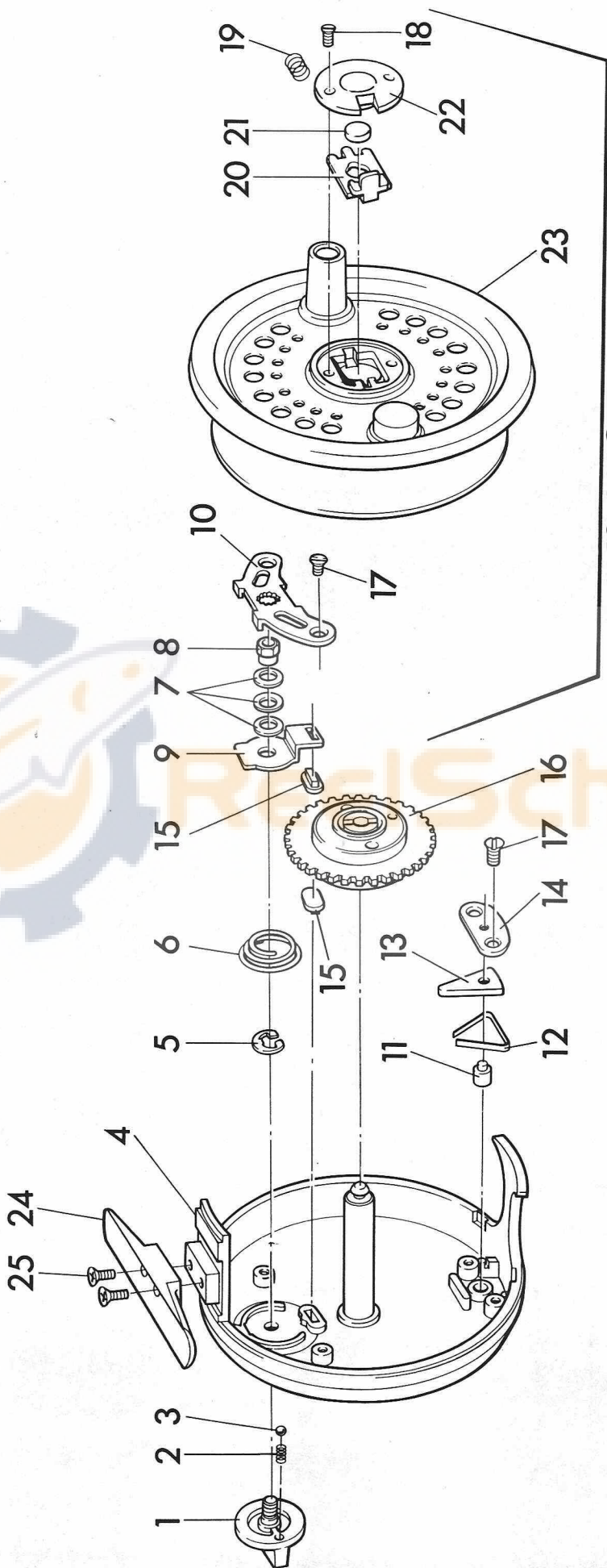


M-SERIES



18-23 Spool Assembly

Part L-302

SystemTM 2
M
SERIES