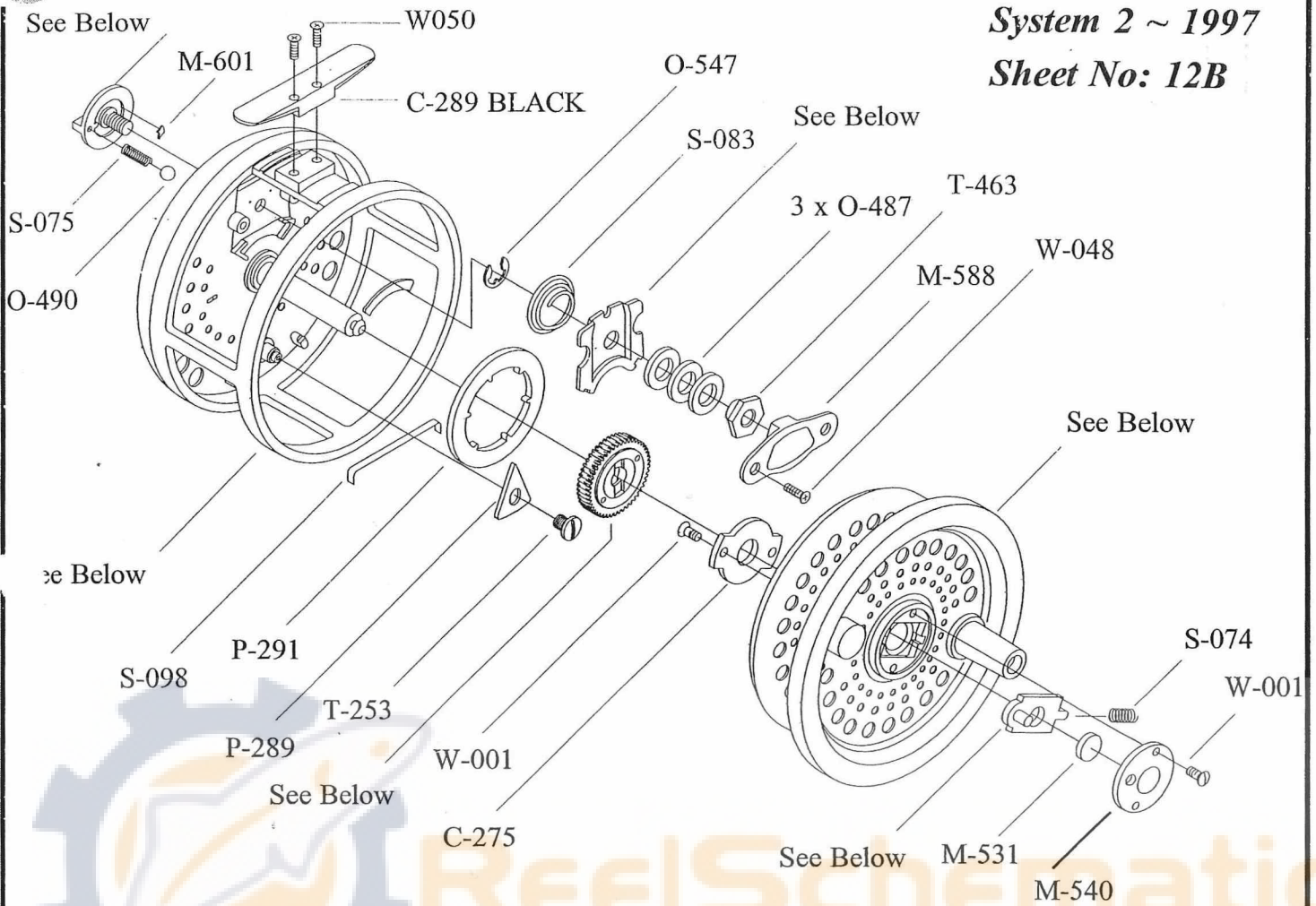


*Scientific Anglers
System 2 ~ 1997
Sheet No: 12B*



| | | | | |
|----------------|------------|------|------|------|
| MODEL | 78 | 89 | 1011 | 1213 |
| PRODUCT No. | 405 | 406 | 407 | 408 |
| BODY S/A | U723 | U724 | U725 | U726 |
| BODY | C480 | C481 | C482 | C483 |
| CENTRE SPINDLE | T241 | T262 | T242 | T347 |
| FOOT | C289 BLACK | | | |
| FOOT SCREW | W050 | | | |
| SPINDLE WASHER | T243 | | | |

SA2 1011 & 1213 CAN BE SUPPLIED WITH C-360
BLACK FOOT IF REQUIRED

| | | | | |
|----------------|-------|-------|-------|-------|
| SPOOL ASSEMBLY | 405SA | 406SA | 407SA | 408SA |
| SPOOL S/A | U525 | U526 | U527 | U593 |
| SPOOL FRONT | C273 | C277 | C279 | C347 |
| SPOOL REAR | C274 | C280 | C280 | C348 |
| HANDLE KNOB | M495 | | | |
| OILITE BEARING | O494 | O495 | | |
| COUNTER WEIGHT | T407 | T419 | | |
| KNOB SHEILD | T228 | | | |
| KNOB SPIGOT | T254 | | | |

| | |
|---------------------|-------|
| GEAR S/A | U-729 |
| RATCHET PAWL | P-223 |
| RATCHET PAWL SPRING | S-086 |
| DRIVE GEAR BODY | T-461 |
| DRIVE GEAR COVER | M-589 |
| RATCHET WHEEL | T-462 |
| RETAINER | O-529 |
| RIVET | T-303 |

| | |
|------------------|-------|
| DRAW KNOB S/A | U-730 |
| DRAW KNOB INSERT | T-464 |

| | |
|-------------------|-------|
| RELEASE LEVER S/A | U-528 |
| RELEASE KNOB | T-244 |
| RELEASE PLATE | P-189 |

| | |
|-----------------|-------|
| BRAKE PLATE S/A | U-619 |
| BRAKE PAD | P-260 |
| BRAKE PLATE | P-259 |
| ADHESIVE | O-483 |