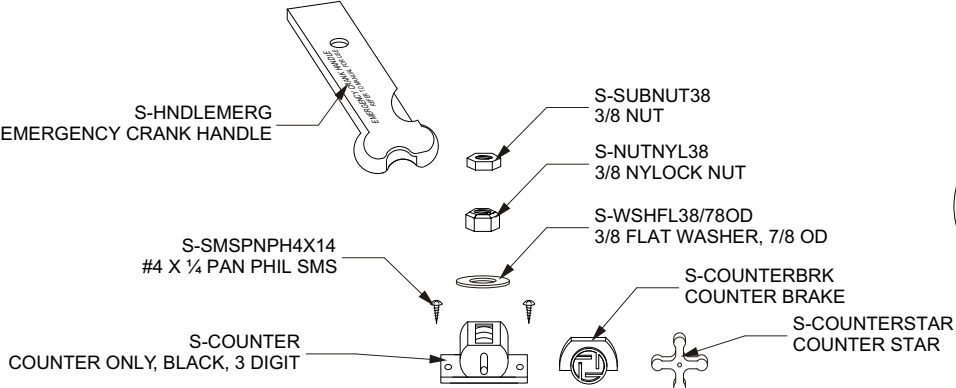


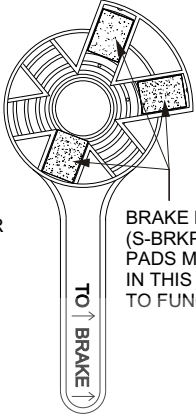


**No. 1100 DEPTHPower 30"  
2001 MODEL, SHEET 1 OF 2**

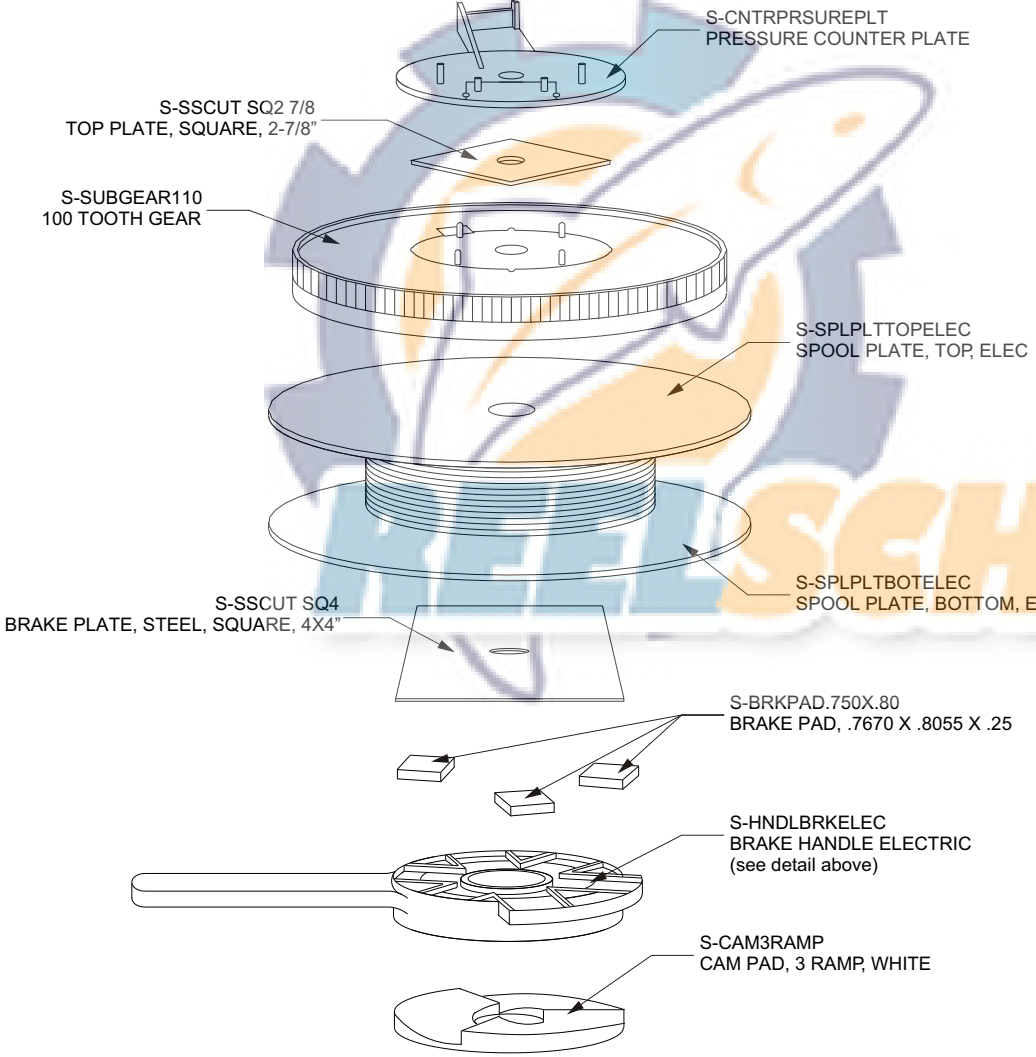
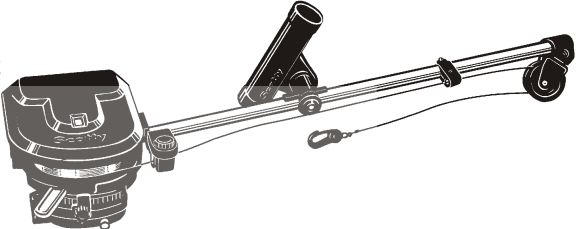
Updated 03-Oct-01



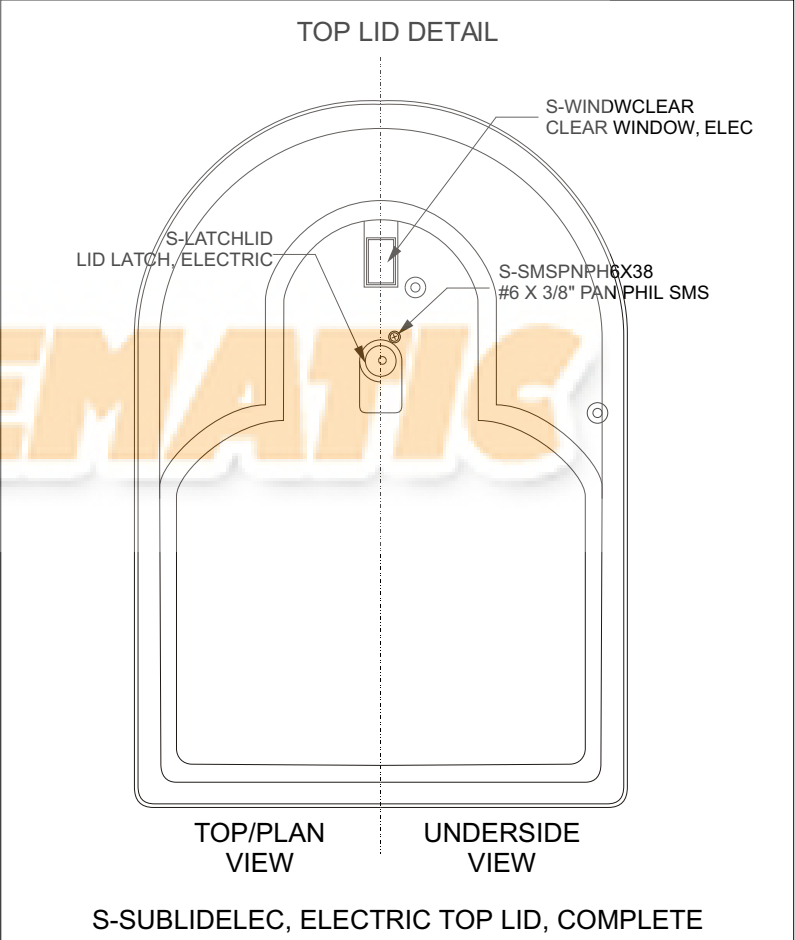
DETAIL OF BRAKE HANDLE



BRAKE PAD PLACEMENT  
(S-BRKPAD.750X.80)  
PADS MUST BE ARRANGED  
IN THIS MANNER FOR BRAKE  
TO FUNCTION PROPERLY



TOP LID DETAIL





# No. 1100 DEPTHPower 30" 2001 MODEL, SHEET 2 OF 2

Updated 03-Oct-01



### ELECTRIC AUTOSTOP EXPLODED VIEW

