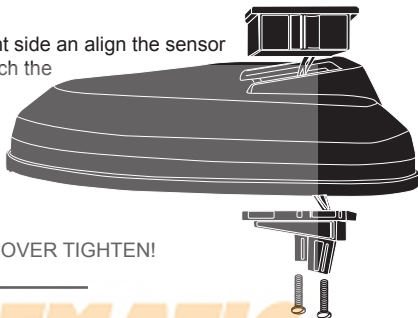









Replacement LCD Counter Scotty HP Electric Downriggers only

1. Place lid upside down on a soft surface.
2. Remove the two screws from the sensor holder and remove the old counter and sensor holding assembly from lid.
3. Position the replacement counter in the lid from the front side and align the sensor holder with the counter housing being careful to not pinch the sensor wires
4. A gasket is not required with the replacement "ON/OFF style" digital counter
5. Use the two supplied machine screws (not the self-tapping screws from the original counter) to fasten the sensor holder to the replacement counter frame.



IMPORTANT : Only fasten the screws hand tight! DO NOT OVER TIGHTEN!

Using the digital counter

- TO TURN COUNTER ON, PRESS . TO TURN COUNTER OFF, PRESS AND HOLD  FOR 5 SECONDS.
- TO RESET COUNTER, PRESS .
- TO TOGGLE BETWEEN "FEET" AND "METERS", PRESS AND HOLD  FOR 5 SECONDS.
- ILLUMINATE BY PRESSING . COUNTER WILL DIM AFTER 30 SECONDS.
- ENSURE AUTO-STOP LINE BEADS ARE PRESENT AND PROPERLY LOCATED PRIOR TO EACH USE.