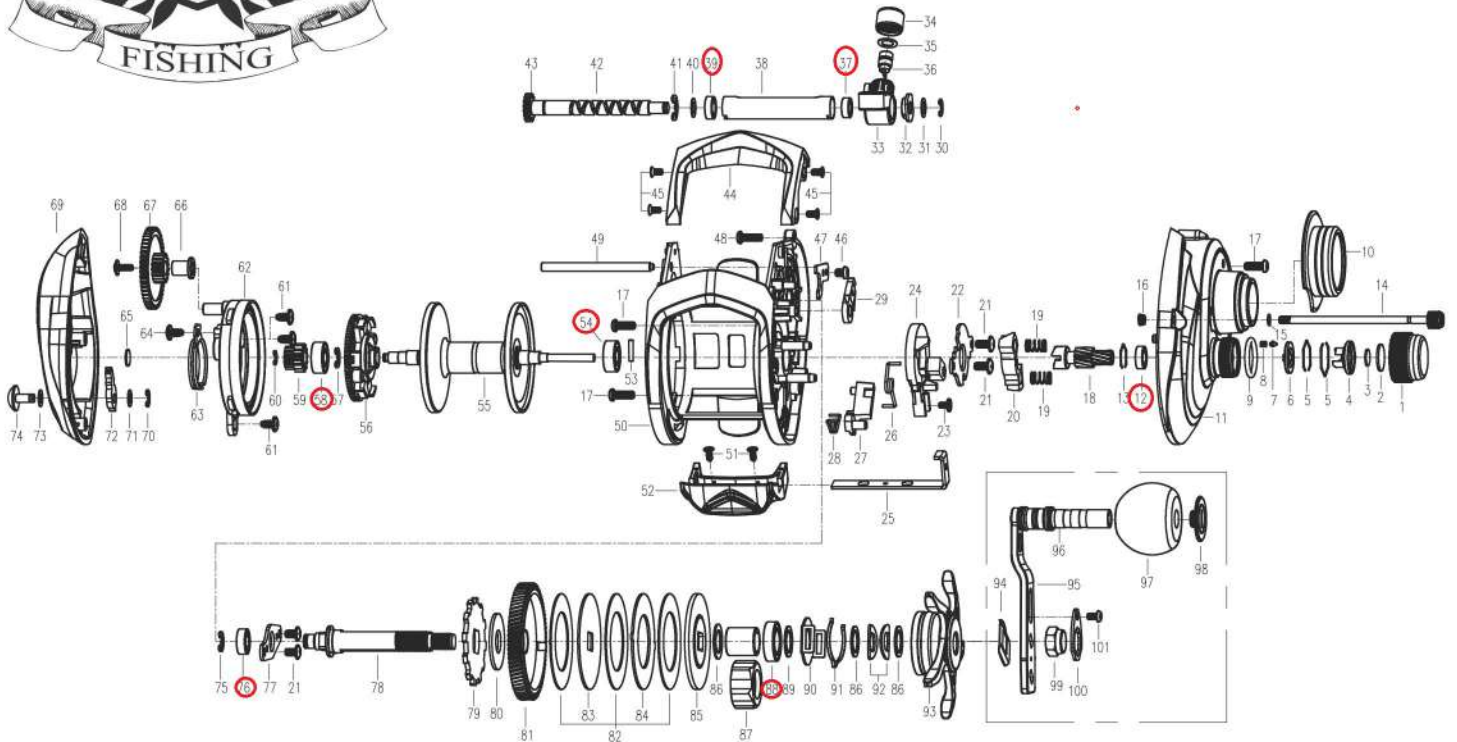




BARRICADE SW 305HSR



No. Parts

- 1 Tension Knob
- 2 Rubber Washer
- 3 Friction Washer
- 4 Sound Sheet
- 5 Rings
- 6 Sound Sheet
- 7 Pin
- 8 Spring
- 9 O-Ring
- 10 Decoration
- 11 Gear Side Plate
- 12 Ball Bearing
- 13 Ring
- 14 Side Cover Long Screw
- 15 O-Ring
- 16 Spring
- 17 Screw
- 18 Pinion Gear
- 19 Yoke Spring
- 20 Yoke
- 21 Screw
- 22 Clutch Cam Plate
- 23 Screw
- 24 Clutch Cam
- 25 Clutch Bar
- 26 Clutch Spring
- 27 Kick Lever
- 28 Kick Lever Spring
- 29 Ratchet Stopper
- 30 E-Click
- 31 Washer
- 32 Bushing
- 33 Line Guide
- 34 Pawl Cap
- 35 Pawl Washer

No. Parts

- 36 Pawl
- 37 Ball Bearing
- 38 Pipe
- 39 Ball Bearing
- 40 Washer
- 41 E-Click
- 42 Worm Shaft
- 43 Worm Shaft Gear
- 44 Front Cover
- 45 Screw
- 46 Screw
- 47 Worm Shaft Plate
- 48 Screw
- 49 Line Guide Shaft
- 50 Body
- 51 Screw
- 52 Thumb Bar
- 53 Worm Shaft Pin
- 54 Ball Bearing
- 55 Spool Assembly
- 56 Centrifugal
- 57 E-Click
- 58 Ball Bearing
- 59 Gear
- 60 E-Click
- 61 Screw
- 62 Spool Cover
- 63 Holder
- 64 Screw
- 65 Friction Washer
- 66 Cover
- 67 Gear
- 68 Screw
- 69 Side Cover
- 70 E-Click

No. Parts

- 71 Washer
- 72 Click Pawl
- 73 Washer
- 74 Click Button
- 75 E-Click
- 76 Ball Bearing
- 77 Drive Shaft Retainer
- 78 Drive Shaft
- 79 Anti Reverse Ratchet
- 80 Drag Washer (B)
- 81 Drive Gear
- 82 Drag Washer (A)
- 83 Key Washer
- 84 Ear Washer
- 85 Pressure Washer
- 86 Washer
- 87 Roller Clutch
- 88 Ball Bearing
- 89 Washer
- 90 Click Leaf Spring Holder
- 91 Click Leaf Spring
- 92 Drag Spring Washer
- 93 Star Drag
- 94 Leaf Spring
- 95 Handle Arm
- 96 Handle Shaft
- 97 Handle Knob
- 98 Handle Knob Cover
- 99 Handle Nut
- 100 Handle Nut
- 101 Screw