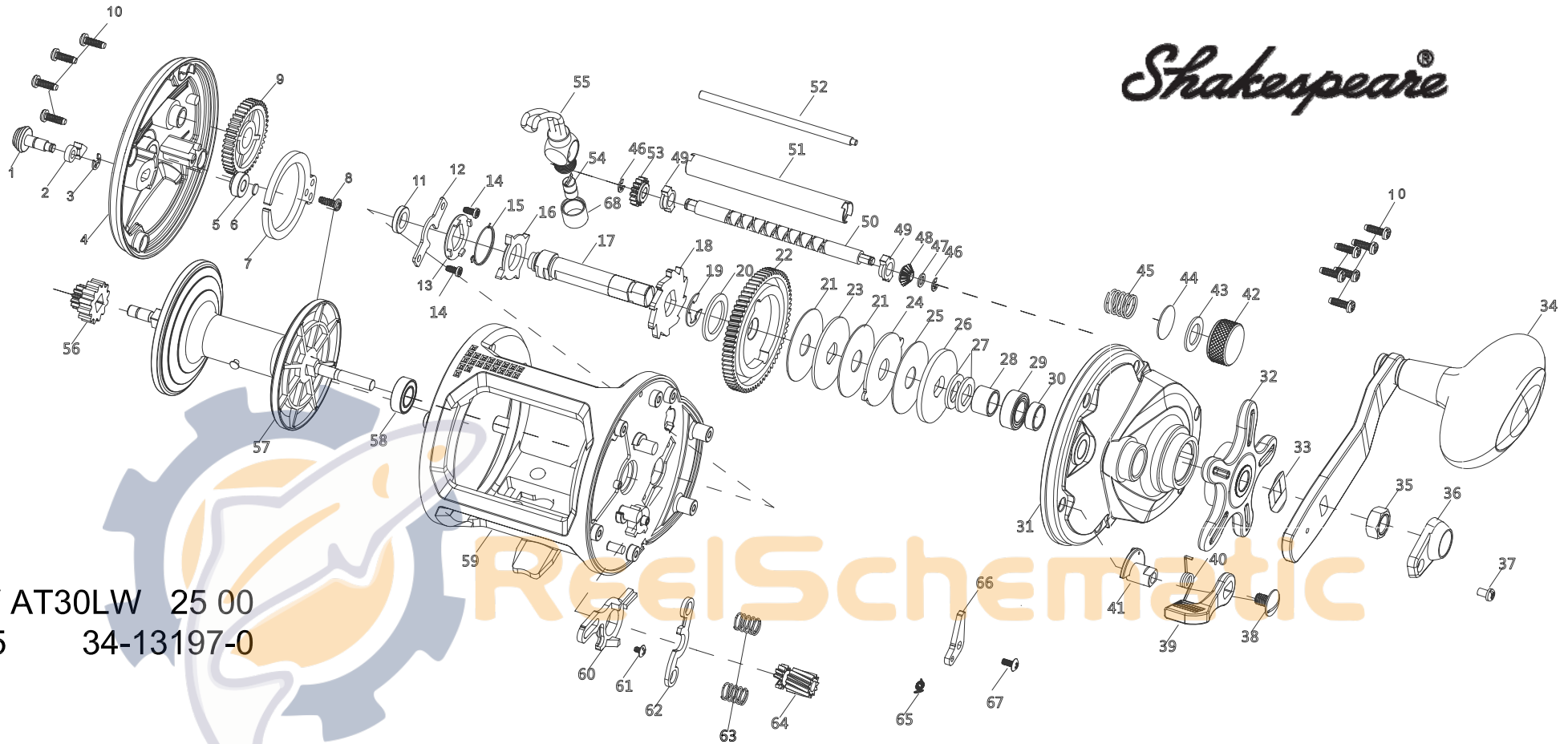


Shakespeare®



SKP CV AT30LW 25 00
1366925 34-13197-0

ReelSchematic

KEY NO.	DESCRIPTION	AT30LW PART NO.	KEY NO.	DESCRIPTION	AT30LW PART NO.	KEY NO.	DESCRIPTION	AT30LW PART NO.	KEY NO.	DESCRIPTION	AT30LW PART NO.
1	Click Button	1382806	18	Stopper Gear	1382821	35	Handle Nut	1382838	52	Support Shaft	1382889
2	Click Tongue	1382807	19	Stopper Gear E-Clip	1382822	36	Handle Nut Cap	1382839	53	Transmission Gear	1383314
3	Click Tongue E-Clip	1188657	20	Crank Shaft Washer	1382823	37	Handle Lock Screw	1382840	54	Paul	1382856
4	Left Side Plate	1382883	21	Drag Washer(2 Req)	1382825	38	Eccentric Lever Screw	1382841	55	Line Guide Carriage Assy	1382890
5	Left Side Plate Bushing	1382809	22	Main Gear	1382884	39	Eccentric Lever	1382842	56	Spool Click Ratchet	1184093
6	Washer	1382810	23	Metal Drag Washer	1382826	40	Eccentric Cam Spring	1382843	57	Spool Assy	1382891
7	Click Spring	1382811	24	Eared Metal Drag Washer	1382827	41	Eccentric Cam	1382844	58	Spool Bearing	1382859
8	Click Screw	1382812	25	Drag Washer	1382828	42	Spool Tension Control Cap	1382845	59	Frame Assy	1382892
9	Idler Gear	1184067	26	Metal Drag Washer	1382829	43	Washer	1382846	60	Eccentric Jack	1382893
10	Screw(10 Req)	1382813	27	Spring Washer(2 Req)	1382830	44	Washer	1382847	61	Eccentric Jack Screw	1382862
11	Main Gear Shaft Bushing	1382814	28	Bushing	1382831	45	Right Side Thrust Spring	1382848	62	Pinion Yoke	1382863
12	Main Gear Retainer	1382815	29	Right Side Plate Bearing	1382832	46	E-Clip(2 Req)	1308797	63	Clutch Spring(2 Req)	1382864
13	Kick Lever	1382817	30	Bushing	1382833	47	Worm Washer	1382849	64	Pinion Gear	1382894
14	Retainer Screw(2 Req)	1382816	31	Right Side Plate	1382885	48	Transmission Gear	1382850	65	Dog Spring	1382866
15	Ratchet Spring	1382818	32	Plastic Star Drag	1382835	49	Carrier Guide Bushing(2 Req)	1382851	66	Dog	1382867
16	Ratchet	1382819	33	Star Drag Washer	1382836	50	Worm Shaft	1382887	67	Dog Screw	1382868
17	Crank Shaft	1382820	34	Handle Assembly	1382886	51	Worm Shield	1382888	68	Paul Cover Screw	1382869