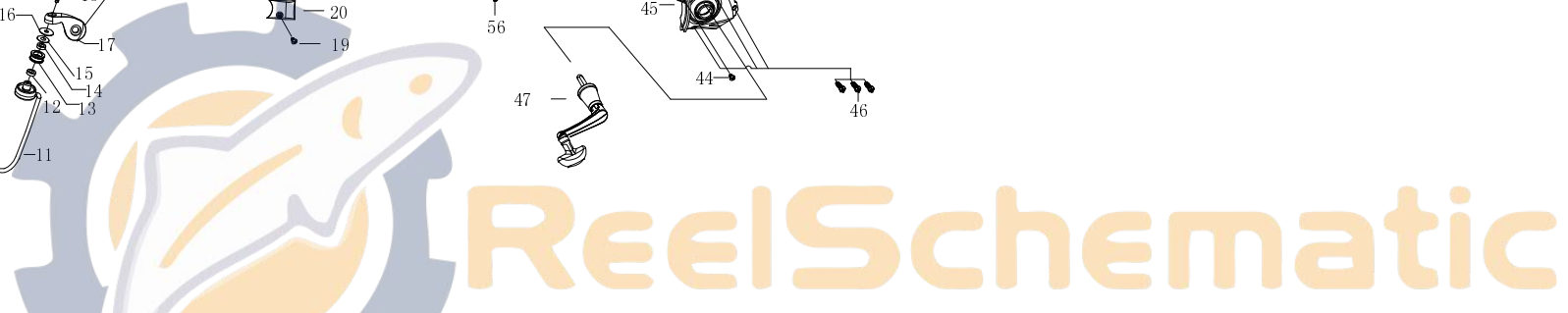


Shakespeare®

Model AG30

SKP-SP-AGILITY30-00



ITEM	DESCRIPTION	SAP #	ITEM	DESCRIPTION	SAP #	ITEM	DESCRIPTION	SAP #	ITEM	DESCRIPTION	SAP #
1	DRAG KNOB ASSY	1315439	15	WASHER	1287003	30	WASHER	1287004	45	BODY COVER	1315448
2	RETAINER RING	1260103	16	LINE ROLLER WASHER	1288229	31	WASHER	1260124	46	SCREW	1260089
3	KEY WASHER	1260104	17	BAIL ARM	1315443	32	SCREW	1260074	47	HANDLE ASSY	1315449
4	DRAG WASHER	1260105	18	SCREW	1264899	33	BEARING COVER	1260075	48	SCREW	1260091
5	EARED WASHER	1260106	19	SCREW	1260116	34	BALL BEARING	1260076	49	SLIDER	1260136
6	SPOOL SUB-ASSY	1315440	20	ROTOR COVER	1315444	35	BALL BEARING HOLDER	1260125	50	O/S GEAR	1260137
6A	SPOOL ASSEMBLY	1315441	21	BAIL TRIGGER	1260063	36	ONE WAY CLUTCH ASSY	1260126	51	REAR COVER	1315450
7	CLICKER GEAR WASHER	1260050	22	BAIL SPRING	1260062	37	CLUTCH SPRING	1260127	52	SCREW	1260119
8	CLICKER GEAR	1260083	23	BAIL ARM GUIDE	1260064	38	PINION GEAR	1260129	53	BODY ASSY	1315451
9	MAIN SHAFT	1260109	24	TRIP PLUNGER	1260118	39	HANDLE SCREW CAP	1315447	54	ANTI-REVERSE LEVER	1260140
10	SCREW	1260110	25	SCREW	1260119	40	WASHER	1287005	55	ANTI-REVERSE BUTTON	1315452
11	BAIL ASSY	1315442	26	ROTOR COVER	1315445	41	BALL BEARING	1260084	56	SCREW	1260100
12	LINE ROLLER BUSHING	1260113	27	ROTOR	1315446	42	DRIVE GEAR	1260130	57	ANTI-REVERSE SPRING	1260101
13	LINE ROLLER	1260114	28	SCREW	1260122	43	BALL BEARING	1260076			
14	LINE ROLLER BUSHING	1260113	29	ROTOR NUT	1260123	44	SCREW	1260134			