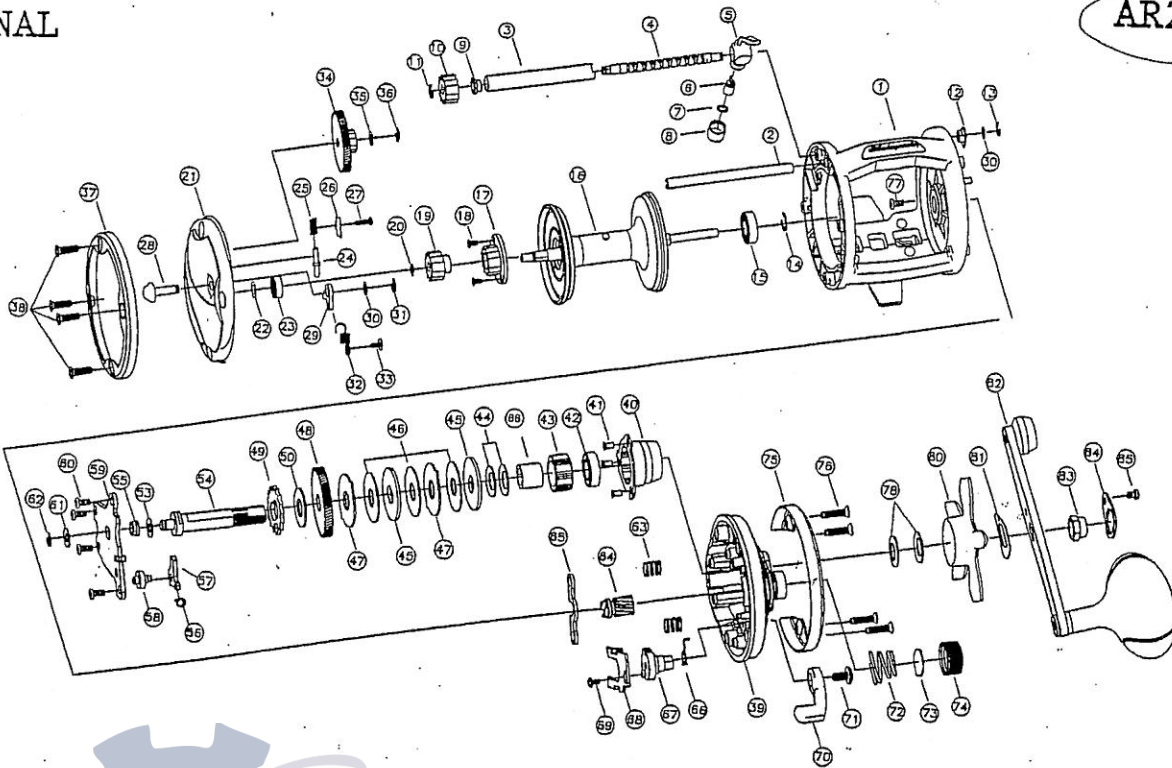


ARSENAL

AR15AL
AR20AL



| NO. | PART NAME |
|-----|------------------------|
| 1 | FRAME ASSM' |
| 2 | L-WIND SUPPORT SHAFT |
| 3 | WORM SHAFT GUIDE |
| 4 | WORM SHAFT |
| 5 | LEVEL WIND ASSM' |
| 6 | LEVEL WIND PAWL |
| 7 | SPACER |
| 8 | LEVEL WIND NUT |
| 9 | W-SHAFT BUSHING(LEFT) |
| 10 | IDLERS |
| 11 | "E" WASHER |
| 12 | W-SHAFT BUSHING(RIGHT) |
| 13 | "E" WASHER |
| 14 | C-RING-B |
| 15 | BALL BEARING |
| 16 | SPOOL ASSM' |
| 17 | CLICK WHEEL |
| 18 | CLICK WHEEL SCREW |
| 19 | LEVEL WIND DRIVE GEAR |
| 20 | C-RING |
| 21 | LEFT COVER |
| 22 | SPOOL SPACER |
| 23 | BUSHING |
| 24 | CLICK METAL |
| 25 | COIL SPRING |
| 26 | CLICK PLATE |
| 27 | CLICK METAL SCREW |
| 28 | CLICK SWITCH |
| 29 | CLICK CLAW |

| |
|---------|
| 1146818 |
| 1145278 |
| 1145278 |
| 1146781 |

| NO. | PART NAME |
|-----|----------------------|
| 30 | WASHER |
| 31 | "E" WASHER |
| 32 | CLICK SPRING |
| 33 | CLICK SPRING SCREW |
| 34 | IDLER GEAR |
| 35 | IDLER GEAR WASHER |
| 36 | "E" WASHER |
| 37 | PROTECTOR-L |
| 38 | PROTECTOR-L SCREW |
| 39 | RIGHT COVER |
| 40 | BEARING SLEEVE |
| 41 | BEARING SLEEVE SCREW |
| 42 | BALL BEARING |
| 43 | ONE WAY CLUTCH |
| 44 | SPRING WASHER |
| 45 | DRIVE WASHER(D) |
| 46 | DRIVE WASHER |
| 47 | EARE WASHER |
| 48 | DRIVE GEAR |
| 49 | AR RATCHET ASSM' |
| 50 | DRIVE SHAFT WASHER |
| 53 | WASHER |
| 54 | CRANK SHAFT |
| 55 | BUSHING |
| 56 | ANTI-REVERSE SPRING |
| 57 | ANTI-REVERSE PAWL |
| 58 | ANTI-REVERSE POST |
| 59 | SET PLATE |

| |
|---------|
| 1146825 |
| 1145283 |
| 1146828 |
| 1145278 |
| 1145079 |
| 1146895 |
| 1146825 |

| NO. | PART NAME |
|-----|---------------------|
| 60 | SET PLATE SCREW |
| 61 | SPACER |
| 62 | RETAINER |
| 63 | PINION YOKE SPRING |
| 64 | PINION GEAR ASSM' |
| 65 | PINION YOKE |
| 66 | CLUTCH SPRING |
| 67 | CLUTCH CAM |
| 68 | CAM PLATE |
| 69 | PLATE SCREW |
| 70 | CLUTCH LEVER |
| 71 | CLUTCH LEVER SCREW |
| 72 | CAST CONTROL SPRING |
| 73 | WASHER |
| 74 | CAST CONTROL CAP |
| 75 | PROTECTOR-R |
| 76 | PROTECTOR-R SCREW |
| 77 | RIGHT COVER SCREW |
| 78 | SPRING WASHER |
| 80 | STAR DRAG |
| 81 | LEAF SPRING |
| 82 | HANDLE ASSM' |
| 83 | HANDLE NUT |
| 84 | NUT RETAINER |
| 85 | NUT RETAINER SCREW |
| 86 | CLUTCH SLEEVE |

| |
|---------|
| 1146825 |
| 1145281 |
| 1146745 |
| 1146769 |
| 1145871 |