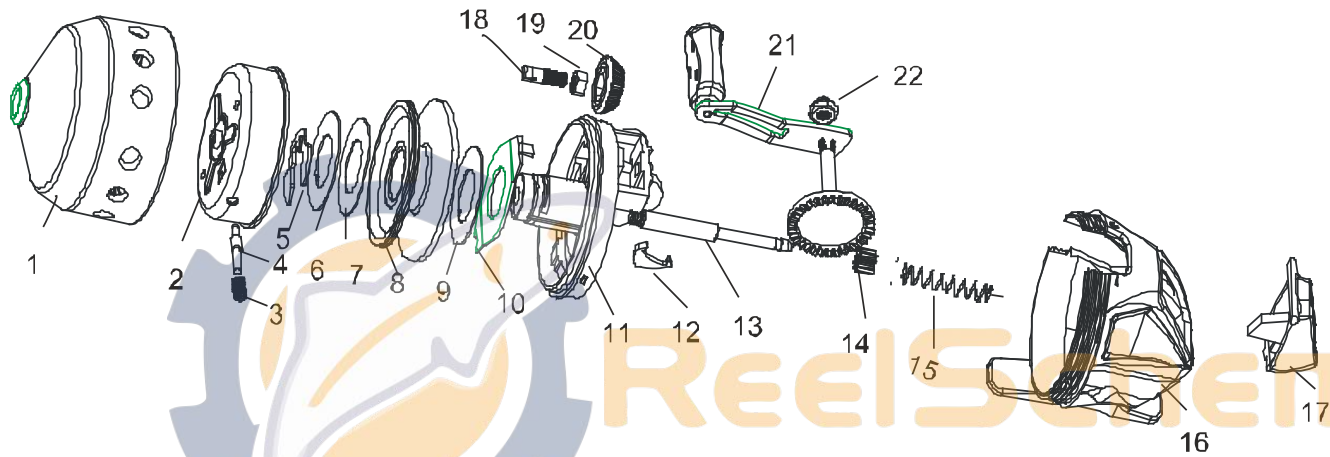


Shakespeare®

MODEL CMFSC15

SKP-SC-CMFSC15-00



| ITEM | DESCRIPTION | SAP# | ITEM | DESCRIPTION | SAP# | ITEM | DESCRIPTION | SAP# |
|------|-----------------|---------|------|---------------------|---------|------|--------------|---------|
| 1 | FRONT COVER ASM | 1406259 | 9 | KEY WASHER2 | 1406267 | 17 | THUMB BUTTON | 1406275 |
| 2 | SPEAD HEAD | 1406260 | 10 | SPRING WASHER | 1406268 | 18 | DRAG SCREW | 1406276 |
| 3 | PIN SPRING | 1406261 | 11 | BODY | 1406269 | 19 | DRAG NUT | 1322440 |
| 4 | PICK UP PIN | 1406262 | 12 | A/R CLAW | 1406270 | 20 | DRAG KNOB | 1406277 |
| 5 | E CLIP | 1406263 | 13 | CENTER SHAFT | 1406271 | 21 | HANDLE | 1406278 |
| 6 | KEY WASHER1 | 1406264 | 14 | PINION | 1406272 | 22 | HANDLE NUT | 1322443 |
| 7 | DRAG WASHER | 1406265 | 15 | CENTER SHAFT SPRING | 1406273 | | | |
| 8 | SPOOL | 1406266 | 16 | BACK COVER | 1406274 | | | |