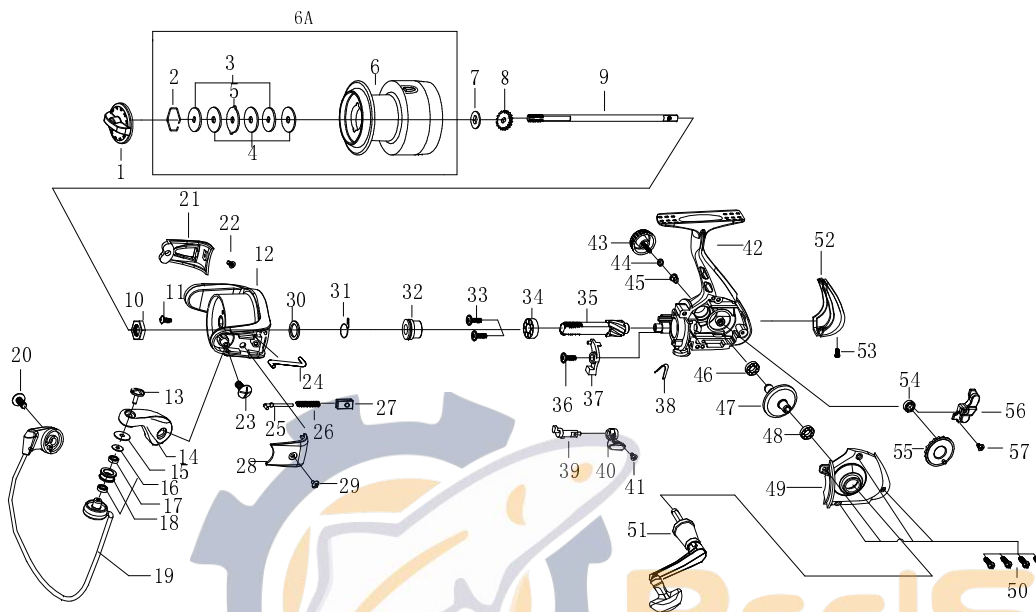


Shakespeare®

Model SSP50

SKP-SP-SSP50-00



ReelSchematic

| ITEM | DESCRIPTION | SAP # | ITEM | DESCRIPTION | SAP # | ITEM | DESCRIPTION | SAP # | ITEM | DESCRIPTION | SAP # |
|------|---------------------|---------|------|---------------------|---------|------|----------------------------|---------|------|------------------|---------|
| 1 | DRAG KNOB ASSY | 1411504 | 16 | WASHER | 1287007 | 32 | RATCHET | 1409317 | 48 | BUSHING | 1409286 |
| 2 | RETAINER RING | 1287009 | 17 | LINE ROLLER BUSHING | 1260113 | 33 | SCREW | 1409281 | 49 | BODY COVER | 1411516 |
| 3 | KEY WASHER | 1287010 | 18 | LINE ROLLER | 1260056 | 34 | PINION BALL BEARING | 1287038 | 50 | SCREW | 1260119 |
| 4 | DRAG WASHER | 1287011 | 19 | BAIL ASSY | 1411509 | 35 | PINION GEAR | 1287039 | 51 | HANDLE ASSY | 1411517 |
| 5 | EARED WASHER | 1287012 | 20 | SCREW | 1260110 | 36 | SCREW | 1287040 | 52 | REAR COVER | 1411524 |
| 6 | SPOOL SUB-ASSY | 1411520 | 21 | ROTOR COVER | 1411510 | 37 | DOG | 1287041 | 53 | SCREW | 1260119 |
| 6A | SPOOL ASSY | 1411521 | 22 | SCREW | 1260119 | 38 | ANTI-REVERSE SWITCH SPRING | 1260101 | 54 | OS GEAR BUSHING | 1411519 |
| 7 | CLICKER GEAR WASHER | 1287017 | 23 | SCREW | 1260110 | 39 | ANTI-REVERSE LEVER | 1260098 | 55 | OSCILLATION GEAR | 1287045 |
| 8 | CLICKER GEAR | 1287018 | 24 | CLICK LEVER | 1287030 | 40 | ANTI-REVERSE BUTTON | 1411512 | 56 | SLIDER | 1287046 |
| 9 | MAIN SHAFT | 1287019 | 25 | BAIL ARM GUIDE | 1287027 | 41 | SCREW | 1260100 | 57 | SCREW | 1271427 |
| 10 | NUT | 1287023 | 26 | BAIL SPRING | 1287028 | 42 | BODY ASSY | 1411513 | | | |
| 11 | SCREW | 1260122 | 27 | BAIL TRIGGER | 1287029 | 43 | HANDLE SCREW CAP | 1411523 | | | |
| 12 | ROTOR | 1411507 | 28 | ROTOR COVER | 1411511 | 44 | WASHER | 1287005 | | | |
| 13 | SCREW | 1260059 | 29 | SCREW | 1260116 | 45 | WASHER | 1411515 | | | |
| 14 | BAIL ARM | 1411522 | 30 | WASHER | 1287034 | 46 | BUSHING | 1409285 | | | |
| 15 | LINE ROLLER WASHER | 1260057 | 31 | SILENT SPRING | 1409316 | 47 | DRIVE GEAR | 1287047 | | | |