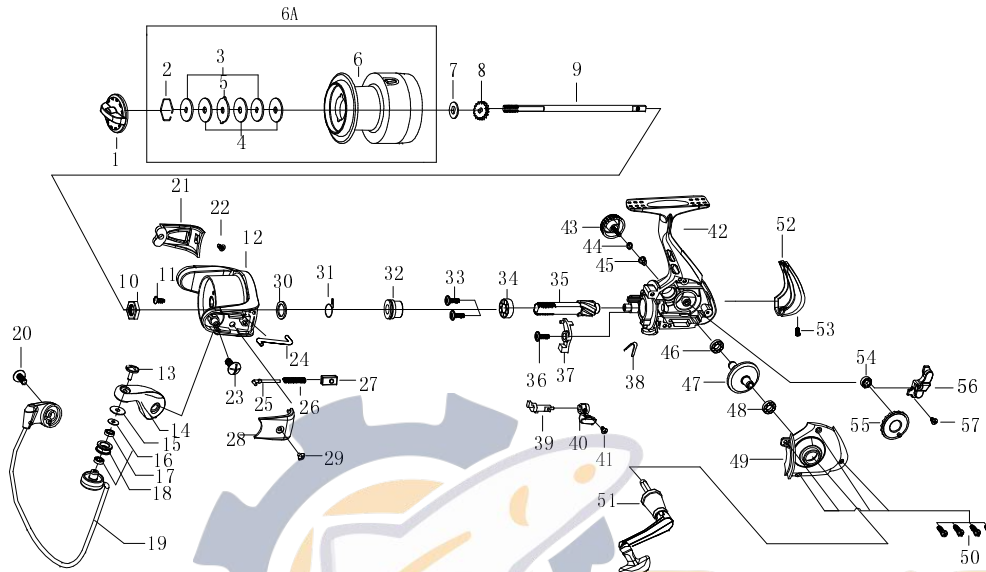


# Shakespeare®

Model STSP50

SKP-SP-STSP50-00



ITEM	DESCRIPTION	SAP #	ITEM	DESCRIPTION	SAP #	ITEM	DESCRIPTION	SAP #	ITEM	DESCRIPTION	SAP #
1	DRAG KNOB ASSY	1411504	16	WASHER	1287007	32	RATCHET	1409317	48	BUSHING	1409286
2	RETAINER RING	1287009	17	BAIL ROLLER BUSHING	1260113	33	SCREW	1409281	49	BODY COVER	1411516
3	KEY WASHER	1287010	18	BAIL ROLLER	1260056	34	PINION BALL BEARING	1287038	50	SCREW	1260119
4	DRAG WASHER	1287011	19	BAIL ASSY	1411509	35	PINION GEAR	1287039	51	HANDLE ASSY	1411517
5	EARED WASHER	1287012	20	SCREW	1260110	36	SCREW	1287040	52	REAR COVER	1411529
6	SPOOL SUB-ASSY	1411525	21	ROTOR COVER	1411510	37	DOG	1287041	53	SCREW	1260119
6A	SPOOL ASSY	1411526	22	SCREW	1260119	38	ANTI-REVERSE SWITCH SPRING	1260101	54	OS GEAR BUSHING	1411519
7	CLICKER GEAR WASHER	1287017	23	SCREW	1260110	39	ANTI-REVERSE LEVER	1260098	55	OSCILLATION GEAR	1287045
8	CLICKER GEAR	1287018	24	CLICK LEVER	1287030	40	ANTI-REVERSE BUTTON	1411512	56	SLIDER	1287046
9	MAIN SHAFT	1287019	25	BAIL ARM GUIDE	1287027	41	SCREW	1260100	57	SCREW	1271427
10	NUT	1287023	26	BAIL SPRING	1287028	42	BODY ASSY	1411513			
11	SCREW	1260122	27	BAIL TRIGGER	1287029	43	HANDLE SCREW CAP	1411528			
12	ROTOR	1411507	28	ROTOR COVER	1411511	44	WASHER	1287005			
13	SCREW	1260059	29	SCREW	1260116	45	WASHER	1411515			
14	BAIL ARM	1411527	30	WASHER	1287034	46	BUSHING	1409285			
15	LINE ROLLER WASHER	1260057	31	SILENT SPRING	1409316	47	DRIVE GEAR	1287047			