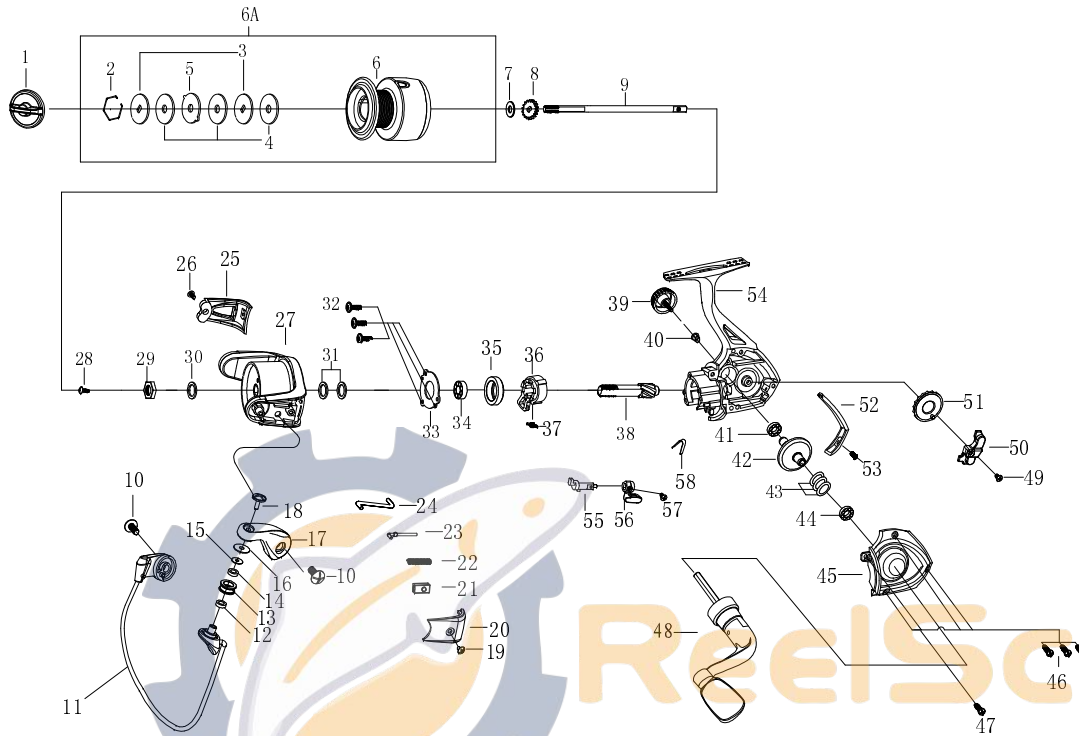


Shakespeare®

Model CONTENDER230

SKP-SP-CONT230-00



ITEM	DESCRIPTION	SAP #	ITEM	DESCRIPTION	SAP #	ITEM	DESCRIPTION	SAP #	ITEM	DESCRIPTION	SAP #
1	DRAG KNOB ASSY	1409256	15	WASHER	1287003	30	WASHER	1287004	45	BODY COVER ASSY	1409228
2	STOP RING	1260103	16	LINE ROLLER WASHER	1288229	31	WASHER	1260124	46	SCREW	1260089
3	KEY WASHER	1260104	17	BAIL ARM	1409223	32	SCREW	1260074	47	SCREW	1260134
4	DRAG WASHER	1260105	18	SCREW	1264899	33	BEARING COVER	1260075	48	HANDLE ASSY	1409229
5	EARED WASHER	1260106	19	SCREW	1260116	34	PINION BALL BEARING	1260076	49	SCREW	1260091
6	SPOOL ASSEMBLY	1409220	20	ROTOR COVER	1409224	35	BEARING SLEEVE	1260125	50	O/S SLIDER	1260136
6A	SPOOL SUB-ASSY	1409221	21	BAIL TRIGGER	1260063	36	ONE WAY CLUTCH ASSY	1260126	51	O/S GEAR	1260137
7	SHEET WASHER	1260050	22	BAIL SPRING	1260062	37	SPRING	1260127	52	REAR COVER	1409230
8	CLICKER WASHER	1260083	23	BAIL ARM GUIDE	1260064	38	PINION GEAR	1260129	53	SCREW	1260119
9	MAIN SHAFT ASSY	1260109	24	TRIP PLUNGER	1260118	39	HANDLE LOCK SUB - ASSY	1409227	54	BODY ASSY	1409231
10	SCREW	1260110	25	ROTOR COVER	1409225	40	WASHER	1287005	55	ANTI - REVERSE LEVER	1260140
11	BAIL WIRE SUB - ASSY	1409222	26	SCREW	1264913	41	BALL BEARING	1260084	56	ANTI - REVERSE BUTTON	1260141
12	LINE ROLLER BUSHING	1260113	27	ROTOR SUB - ASSY	1409226	42	DRIVE GEAR	1260130	57	SCREW	1260100
13	LINE ROLLER	1260114	28	SCREW	1260122	43	GEAR WASHER	1260131	58	ANTI - REVERSE SWITCH SPRING	1260101
14	LINE ROLLER BUSHING	1260113	29	ROTOR NUT	1260123	44	BALL BEARING	1260076			