

# Synergy Classic 2002

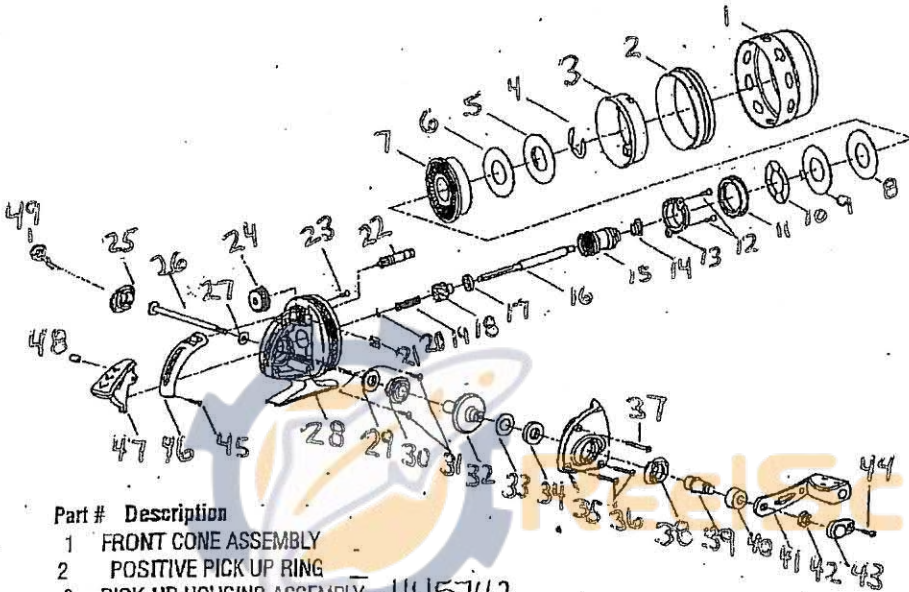
SYCLASSIC2002



Newer

## Synergy Classic 2002 Spincasting Reel

2007 PEWTER  
2008 GREY



Part # Description

- |    |                                    |
|----|------------------------------------|
| 1  | FRONT CONE ASSEMBLY                |
| 2  | POSITIVE PICK UP RING              |
| 3  | PICK UP HOUSING ASSEMBLY - 1145742 |
| 4  | SPOOL 'E' WASHER                   |
| 5  | 'D' DRAG WASHER                    |
| 6  | TOP DRAG WASHER                    |
| 7  | SPOOL ASSEMBLY                     |
| 8  | BOTTOM DRAG WASHER                 |
| 9  | EARED DRAG WASHER                  |
| 10 | DRAG SPRING WASHER                 |
| 11 | DRAG GEAR                          |
| 12 | DRAG GEAR BASE SCREW               |
| 13 | DRAG GEAR BASE                     |
| 14 | PICK UP PIN CAM                    |
| 15 | FRAME SHAFT                        |
| 16 | MAIN SHAFT                         |
| 17 | PINION GEAR BEARING - 1145101      |
| 18 | PINION GEAR - 1145997              |
| 19 | MAIN SHAFT SPRING                  |
| 20 | 'E' WASHER - 1145278               |
| 21 | RETAINER CLIP                      |
| 22 | DRAG KNOB STEM                     |
| 23 | TOP REAR COVER SCREW               |
| 24 | DRAG KNOB                          |
| 25 | SIDE CAP                           |
| 26 | CRANK MTG SCREW                    |
| 27 | CRANK MTG WASHER                   |
| 28 | BODY                               |
| 29 | BODY BUSHING                       |
| 30 | O.W.C. BEARING                     |
| 31 | O.W.C. RETAINER SCREW              |
| 32 | DRIVE GEAR                         |
| 33 | DRIVE GEAR WASHER - 1146817        |
| 34 | GEAR BUSHING                       |
| 35 | BODY COVER                         |
| 36 | COVER SCREW - 1146212              |
| 37 | THUMB BUTTON SCREW                 |
| 38 | HANDLE CAP                         |
| 39 | CRANK STAND                        |
| 40 | CRANK CAP                          |
| 41 | CRANK ARM ASSEMBLY                 |
| 42 | CRANK NUT                          |
| 43 | CRANK NUT COVER - 1145428          |
| 44 | SCREW                              |
| 45 | LOWER REAR COVER SCREW             |
| 46 | REAR COVER                         |
| 47 | THUMB BUTTON                       |
| 48 | THUMB BUSHING                      |
| 49 | Screw                              |