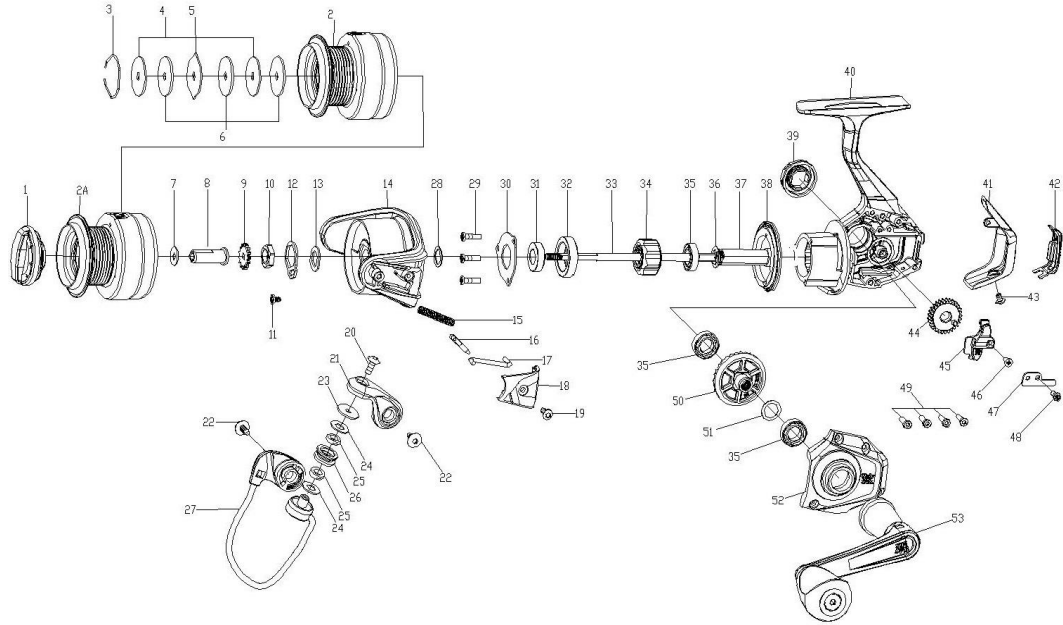


Shakespeare®

Model USTUSP35
SKP SP USTUSP35 00



ITEM	DESCRIPTION	SAP #
30	BEARING COVER	1538374
31	PINION BALL BEARING	1538375
32	BALL BEARING RETAINER	1538376
33	MAIN SHAFT	1538377
34	ONE WAY CLUTCH ASSY	1538335
35	BALL BEARING	1538336
36	WASHER	1538378
37	PINION GEAR	1538379
38	RESISTANCE RING	1538380
39	HANDLE SCREW CAP	1538381
40	BODY ASSY	1538382
41	REAR COVER	1538383
42	REAR COVER TRIM	1538384
43	SCREW	1538385
44	OSCILLATION GEAR	1538386
45	SLIDER	1538387
46	SCREW	1538388
47	O/S SLIDE RETAINER	1538389
48	SCREW	1538390
49	SCREW	1538391
50	DRIVE GEAR	1538392
51	WASHER	1538393
52	SIDE COVER	1538394
53	HANDLE ASSY	1538395

ITEM	DESCRIPTION	SAP #	ITEM	DESCRIPTION	SAP #
1	DRAG KNOB ASSY	1538347	15	BAIL SPRING	1538361
2	SPOOL SUB-ASSY	1538348	16	BAIL ARM GUIDE	1538362
2A	SPOOL ASSY	1538349	17	TRIP PLUNGER	1538363
3	RETAINER RING	1538350	18	ROTOR COVER	1538364
4	KEY WASHER	1538351	19	SCREW	1538365
5	DRAG WASHER	1538352	20	SCREW	1538366
6	EARED WASHER	1538353	21	BAIL ARM	1538367
7	CLICKER GEAR WASHER	1538354	22	SCREW	1538368
8	SPOOL BUSHING	1538355	23	WASHER	1538369
9	CLICKER GEAR	1538356	24	LINE ROLLER WASHER	1264901
10	NUT	1538357	25	LINE ROLLER BUSHING	1538370
11	SCREW	1538324	26	LINE ROLLER	1538371
12	NUT RETAINER	1538358	27	BAIL ASSY	1538372
13	WASHER	1538359	28	WASHER	1264914
14	ROTOR	1538356	29	SCREW	1538373