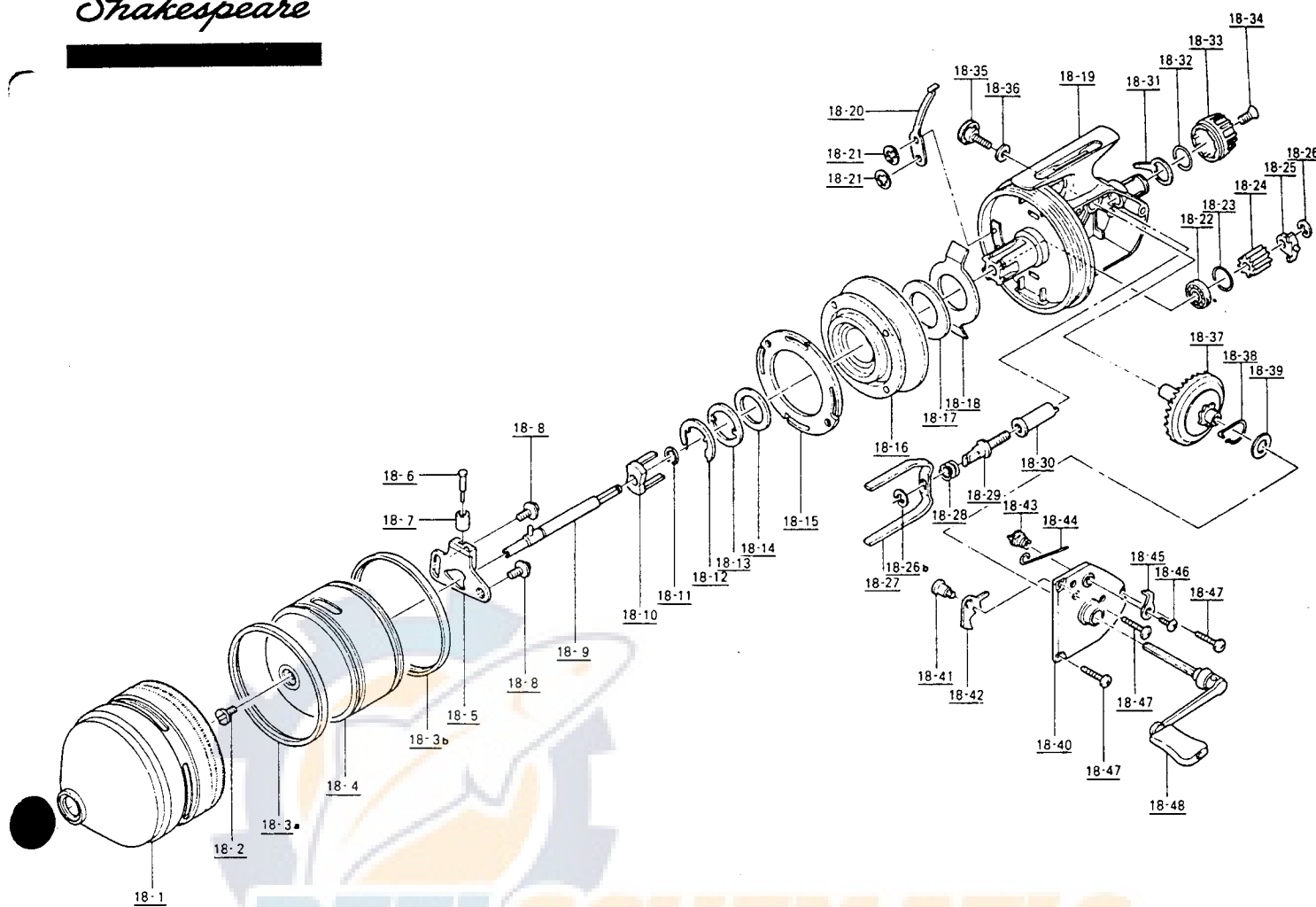


Shakespeare



PART NO.	DESCRIPTION	PART NO.	DESCRIPTION
18-1	Outer Cone	18-25	Oscillating Block
18-2	Pick-up Housing Screw	18-26A	Oscillating Block Retaining Clip
18-3A	Wear Ring (front)	18-26B	Drag Adjusting Shaft Clip
18-3B	Wear Ring (rear)	18-27	Drag Adjusting Arm
18-4	Pick-up Housing	18-28	Drag Spring
18-5	Pick-up Arm Assembly	18-29	Drag Adjusting Shaft
18-6	Line Roller Stud	18-30	Drag Adjusting Nut
18-7	Line Roller	18-31	Drag Knob Click Spring
18-8	Pick-up Arm Screw	18-32	Click Spring Retaining Clip
18-9	Main Shaft Assembly	18-33	Drag Adjusting Knob
18-10	Pick-up Arm Stop	18-34	Drag Adjusting Knob Screw
18-11	Main Shaft Retaining Clip	18-35	Crank Handle Screw
18-12	Spool Retaining Clip	18-36	Crank Handle Washer
18-13	Drag Disc Washer	18-37	Main Gear Assembly
18-14	Drag Friction Washer (front)	18-38	Anti-Reverse Pawl Spring
18-15	Pick-up Housing Late Engager	18-39	Main Gear Washer
18-16	Spool	18-40	Cover Plate
18-17	Drag Friction Washer (rear)	18-41	Anti-Reverse Pawl Stud
18-18	Drag Pressure Plate	18-42	Anti-Reverse Pawl
18-19	Main Housing Assembly	18-43	Anti-Reverse Cam
18-20	Spool Click Spring	18-44	Anti-Reverse Cam Spring
18-21	Spool Click Spring Fastener	18-45	Anti-Reverse Lever
18-22	Ball Bearing	18-46	Anti-Reverse Lever Screw
18-23	Ball Bearing Retaining Clip	18-47	Cover Plate Screw
18-24	Pinion Gear	18-48	Crank Handle Assembly