

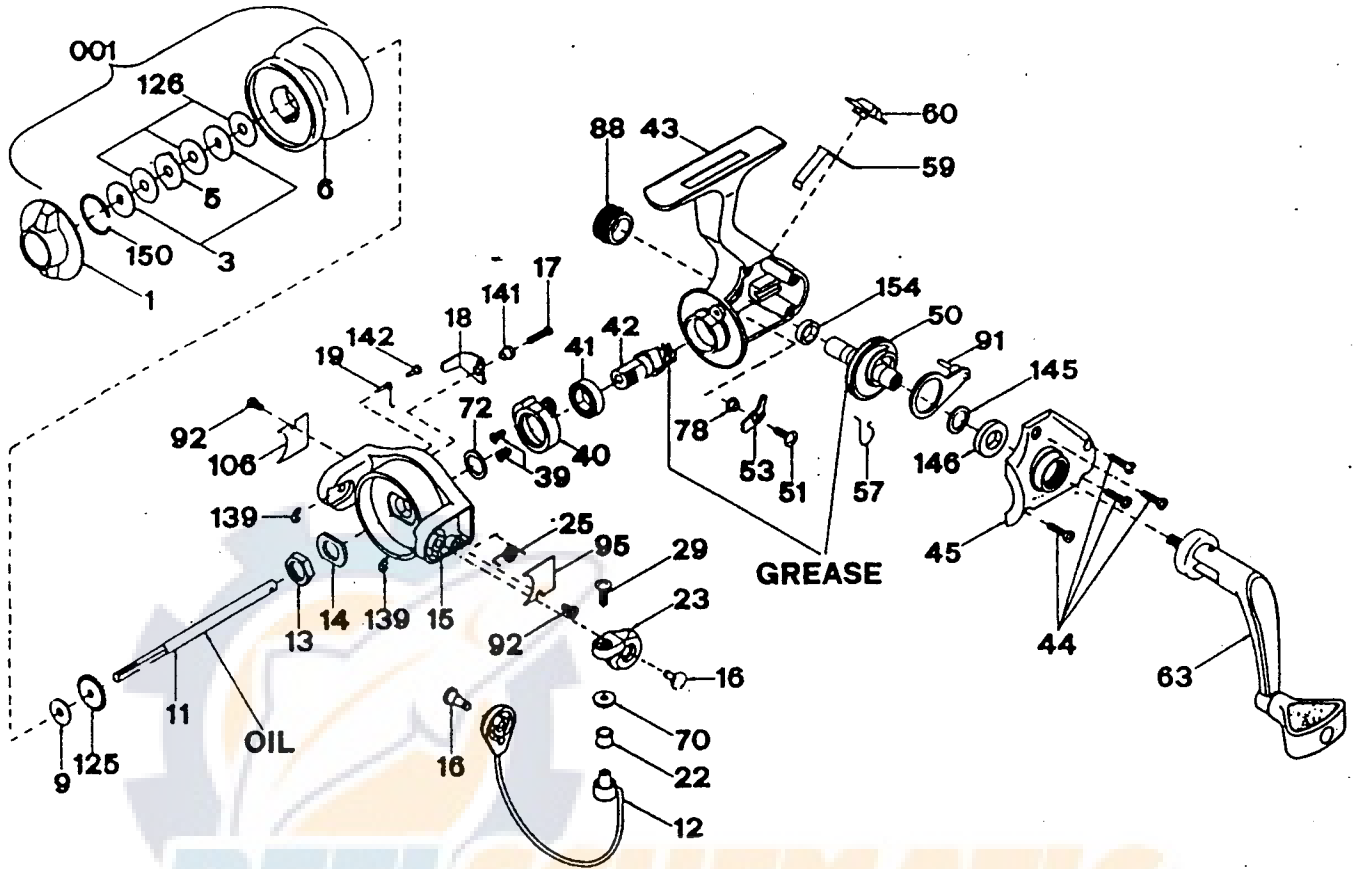
Revised 8/99

ULTRALIGHT 2500

Shakespeare

SINCE 1897

Please specify reel color when ordering. (flat-black, red, green, gra



| Key No. | Part No.      | Description               | Key No. | Part No.      | Description         |
|---------|---------------|---------------------------|---------|---------------|---------------------|
| 1       | 79-40-0180-01 | Drag Button               | 3       | 79-72-0630-01 | Keyed Drag Washer   |
| 5       | 79-72-0631-01 | Eared Drag Washer         | 6       | 78 2500-001   | Spool               |
| 9       | 79-72-0624-01 | Main Shaft Washer         | 11      | 79-60-0137-01 | Main Shaft          |
| 12      | 79-03-0109-01 | Bail Wire Assembly        | 13      | 79-40-0182-01 | Pick Up Housing Nut |
| 14      | 79-72-0625-01 | Pick Up Housing Washer    | 15      | 79-34-0140-01 | Pick Up Housing     |
| 16      | 79-45-0045-01 | Bracket Stud              | 17      | 79-58-0605-01 | Trip Lever Screw    |
| 18      | 79-37-0187-01 | Trip Lever                | 19      | 79-67-0626-01 | Trip Lever Spring   |
| 22      | 79-57-0044-01 | Line Roller               | 23      | 79-07-0079-01 | Bail Bracket        |
| 25      | 79-67-0617-01 | Trip Spring               | 29      | 79-58-0596-01 | Line Roller Screw   |
| 39      | 79-58-0606-01 | Retainer Screw            | 40      | 79-53-0059-01 | Ball Race Retainer  |
| 41      | 79-04-0066-01 | Ball Race                 | 42      | 79-46-0099-01 | Pinion Gear         |
| 43      | 79-27-0169-01 | Frame                     | 44      | 79-58-0597-01 | Cover Plate Screw   |
| 45      | 79-47-0377-01 | Cover Plate               | 50      | 79-28-0173-01 | Drive Gear          |
| 51      | 79-58-0607-01 | Non Reverse Pawl Screw    | 53      | 79-43-0122-01 | Non Reverse Pawl    |
| 57      | 79-67-0628-01 | Drive Gear Spring         | 59      | 79-67-0629-01 | Push Button Spring  |
| 60      | 79-10-0077-01 | Push Button               | 63      | 79-20-0144-01 | Crank Assembly      |
| 70      | 79-21-0036-01 | Line Roller Washer        | 72      | 79-65-0026-01 | Pinion Spacer       |
| 78      | 79-72-0626-01 | Non Reverse Pawl Washer   | 88      | 79-12-0052-01 | Side Cap            |
| 91      | 79-37-0186-01 | Level Wind Plate Assembly | 92      | 79-58-0595-01 | Bracket Cover Screw |
| 95      | 79-47-0379-01 | Trip Spring Cover         | 106     | 79-47-0379-01 | Trip Lever Cover    |
| 125     | 79-50-0057-01 | Click Ratchet             | 126     | 79-72-0627-01 | Drag Washer         |
| 139     | 79-15-0019-01 | Stud Washer               | 141     | 79-72-0628-01 | Trip Lever Washer   |
| 142     | 79-71-0003-01 | Spring Stud               | 145     | 79-72-0629-01 | Drive Gear Washer   |
| 146     | 79-09-0029-01 | Cover Plate Bushing       | 150     | 79-53-0060-01 | Retaining Ring      |