

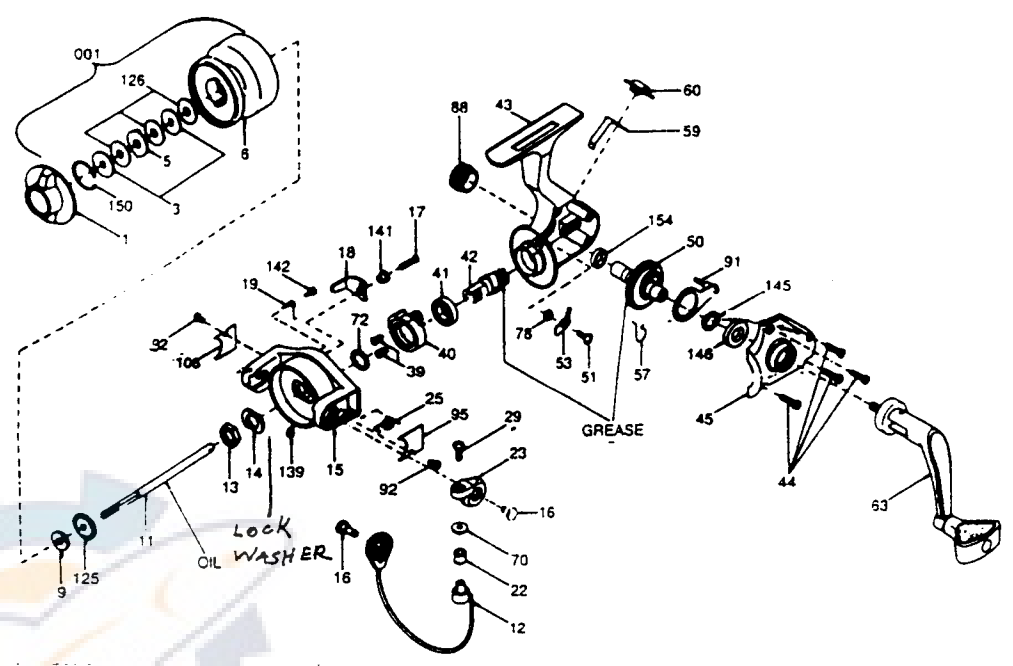
NEW FOR 2000

250UL Ultralight Spinning Reel

AND MICROSPIN
2500ULX

PARTS LIST

Use this parts list for ordering replacement parts for your 250UL Spinning Reel.



No.	No.	Description	No.	No.	Description
1	79-40-0345-01	Drag Button	3	79-72-0536-01	Keyed Drag Washer
5		Eared Drag Washer	6	79-66-0297-01	SPOOL
9	79-72-0624-01	Main Shaft Washer	11		Main Shaft
12	79-03-0191-01	Bail Wire Assembly	13		Pick Up Housing Nut
14		Pick Up Housing Washer	15		Pick Up Housing
16	79-58-0672-01	Bracket SCREW	17	79-58-0605-01	Trip Lever Screw
18	79-37-0187-01	Trip Lever	19	79-67-0626-01	Trip Lever Spring
22	79-57-0044-01	Line Roller	23		Bail Bracket
25	79-67-0617-01	Trip Spring	29	79-58-0596-01	Line Roller Screw
39	79-58-0606-01	Retainer Screw	40		Ball Race Retainer
41	79-04-0066-01	Ball Race	42		Pinion Gear
43		Frame	44	79-58-0597-01	Cover Plate Screw
45		Cover Plate	50		Drive Gear
51	79-58-0607-01	Non Reverse Pawl Screw	53		Non Reverse Pawl
57	79-67-0628-01	Drive Gear Spring	59	79-67-0629-01	Push Button Spring
60	79-10-0077-01	Push Button	63	79-20-0144-01	Crank Assembly
70	79-21-0036-01	Line Roller Washer	72		Pinion Spacer
78	79-72-0626-01	Non Reverse Pawl Washer	88	79-12-0052-01	Side Cap
91		Level Wind Plate Assembly	92	79-58-0595-01	Bracket Cover Screw
95	79-47-0379-01	Trip Spring Cover	106	79-47-0379-01	Trip Lever Cover
125	79-50-0057-01	Click Ratchet	126		Drag Washer
139		not in reel	141	79-72-0628-01	Trip Lever Washer
142	79-71-0003-01	Spring Stud	145		Drive Gear Washer
146		Cover Plate Bushing	150	79-53-0060-01	Retaining Ring
154	79-09-0027-01	Frame Bushing			