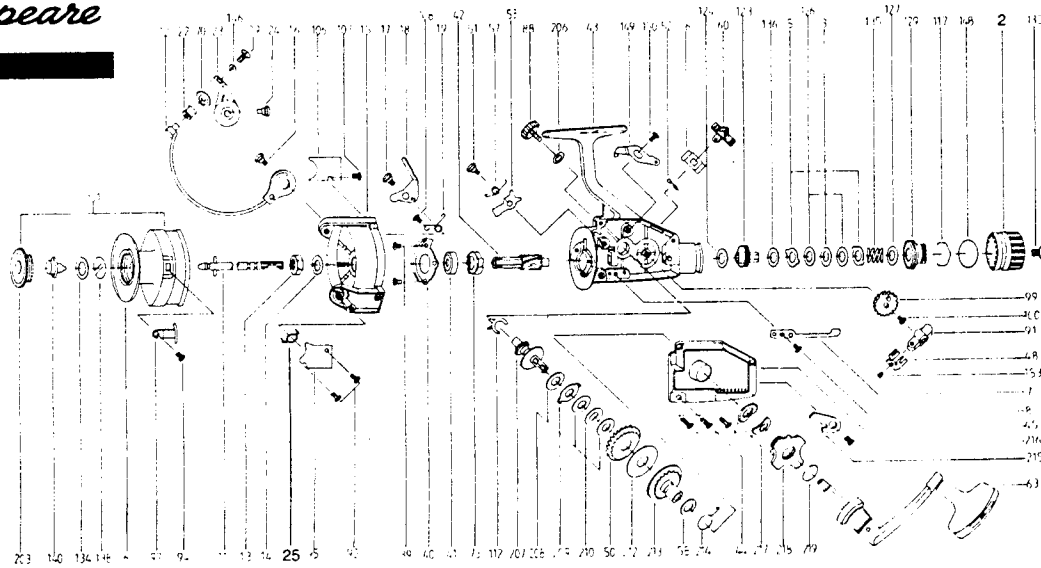


Shakespeare®



REF. NO.	PART NO.	DESCRIPTION	REF. NO.	PART NO.	DESCRIPTION
001	79-66-0178-01	Spool Assembly	92	79-58-0488-01	Bail Spring Cover Screw
2	79-40-0121-01	Rear Drag Cap Assembly	94	79-58-0318-01	Line Clip Screw
3	79-72-0389-01	Rear Drag Washer "D"	95	79-19-0029-01	Bail Spring Cover
5	79-72-0385-01	Rear Drag Washer "A"	97	79-15-0027-01	Line Clip
6	79-66-0179-01	Spool	99	79-28-0107-01	Oscillating Gear
7	79-67-0190-01	Click Pawl	100	79-58-0444-01	Oscillating Gear Screw
8	79-58-0335-01	Click Pawl Screw	106	79-19-0028-01	Kick Lever Cover
11	79-60-0112-01	Main Shaft Assembly	107	79-58-0323-01	Kick Lever Cover Screw
12	79-03-0076-01	Bail Arm Assembly	108	79-58-0320-01	Kick Lever Spring Screw
13	79-40-0118-01	Pickup Nut	112	79-11-0044-01	Silent Cam (A/R)
14	79-72-0393-01	Pickup Retainer Washer	117	79-53-0088-01	Rear Drag Ring
15	79-34-0099-01	Pickup Housing	123	79-33-0004-01	Slider Holder
16	79-58-0465-01	Bail Holder Screw	124	79-72-0521-01	Rear Drag Washer "C"
17	79-58-0322-01	Kick Lever Screw	126	79-72-0387-01	Rear Drag Washer "D"
18	79-37-0090-01	Kick Lever	127	79-72-0391-01	Rear Drag Adjustable Washer
19	79-67-0182-01	Kick Lever Spring	129	79-40-0116-01	Rear Drag Nut
22	79-57-0022-01	Line Roller	130	79-58-0333-01	Rear Drag Cap Screw
23	79-37-0096-01	Arm Lever Assembly	134	79-72-0379-01	Spool Plate Washer
24	79-58-0466-01	Arm Lever Screw	135	79-67-0188-01	Rear Drag Coil Spring
25	79-67-0185-01	Bail Spring	136	79-72-0510-01	Rear Drag Washer
29	79-58-0353-01	Bail Screw	138	79-67-0180-01	Spool Lock Spring
39	79-58-0343-01	Bearing Plate Screw	140	79-10-0053-01	Push Button
40	79-47-0219-01	Bearing Plate	146	79-72-0381-01	Bail Washer
41	79-04-0043-01	Bail Bearing	148	79-54-0090-01	O-Ring
42	79-46-0074-01	Pinion	149	79-11-0038-01	Anti-Reverse Lever Cam
43	79-27-0095-01	Frame Assembly	150	79-58-0341-01	Anti-Reverse Lever Cam
44	79-58-0486-01	Body Cover Screw	153	79-58-0445-01	Oscillating Slider Stopper Screw
45	79-19-0030-01	Body Cover Assembly	203	79-12-0035-01	Spool Cap
48	79-15-0029-01	Oscillating Slider	206	79-72-0479-01	Handle Screw Cap Washer
50	79-28-0137-01	Drive Gear	207	79-60-0101-01	Drive Gear Shaft Assembly
51	79-58-0338-01	Anti-Reverse Pawl Screw	208	79-72-0480-01	Drive Gear Washer 'B'
52	79-45-0024-01	Anti-Reverse Lever Pin	209	79-72-0481-01	Drive Gear Washer 'A'
53	79-43-0090-01	Anti-Reverse Pawl	210	79-72-0482-01	Drive Gear Washer 'D'
57	79-67-0192-01	Anti-Reverse Pawl Spring	212	79-72-0483-01	Pressure Metal Washer
58	79-72-0395-01	Drive Gear Adjustable Washer	213	79-72-0484-01	Pressure Metal Drag Washer
60	79-10-0068-01	Anti-Reverse Lever	214	79-67-0256-01	Pressure Sliding Spring
63	79-20-0116-01	Handle Assembly	215	79-28-0128-01	Gear Stopper
70	79-77-0005-01	Bail Collar	216	79-58-0446-01	Gear Stopper Screw
73	79-28-0139-01	Ratchet Gear	217	79-72-0485-01	Side Drag Spring Washer
76	79-67-0194-01	Anti-Reverse Lever Plate	218	79-79-0007-01	Side Star Drag Assembly
88	79-12-0038-01	Handle Screw Cap Assembly	219	79-54-0099-01	Gear Shaft Ring
91	79-37-0103-01	Oscillating Slider			