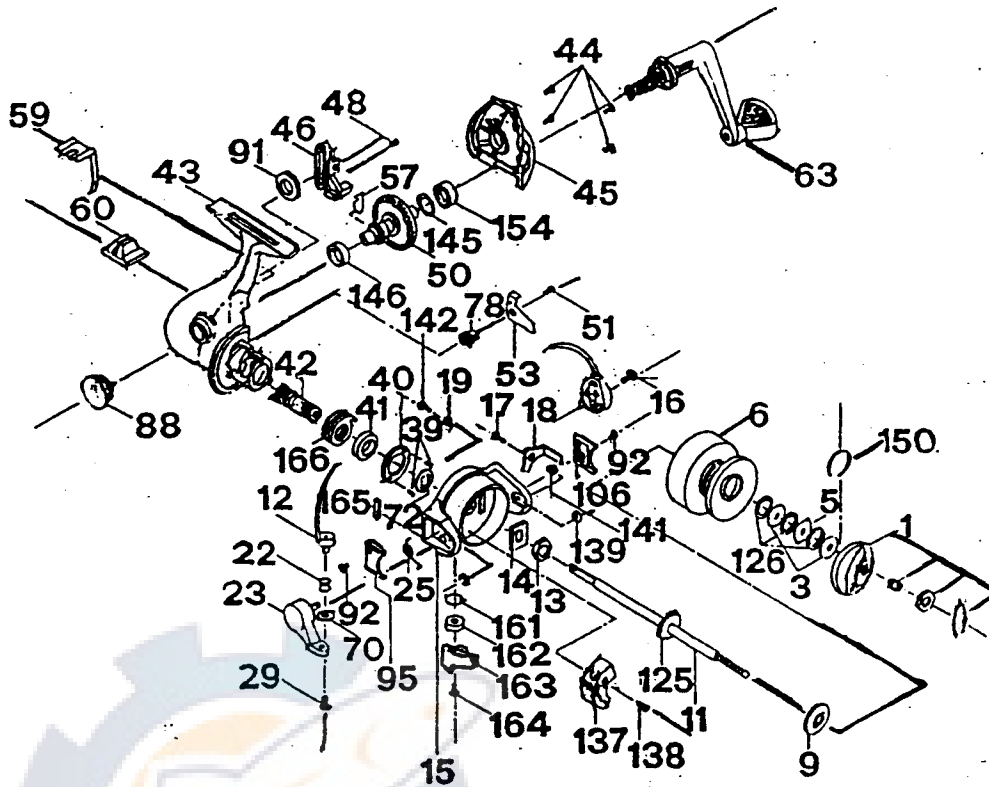


740 RT



| REF # | PART NUMBER | DESCRIPTION | REF # | PART NUMBER | DESCRIPTION |
|-------|---------------|--------------------------|-------|---------------|----------------------|
| 1 | 79-40-0187-01 | DRAG BUTTON | 3 | 79-72-0638-01 | KEYED WASHER |
| 5 | 79-72-0639-01 | EARED DRAG WASHER | 6 | 740 001 | SPOOL |
| 9 | 79-72-0624-01 | MAIN SHAFT WASHER | 11 | 79-60-0139-01 | MAIN SHAFT |
| 12 | 79-03-0112-01 | BAIL WIRE | 13 | 79-40-0182-01 | PICK UP HOUSING NUT |
| 14 | 79-72-0635-01 | PICK UP HOUSING WASHER | 15 | 79-34-0146-01 | PICK UP HOUSING |
| 16 | 79-71-0004-01 | BRACKET STUD | 17 | 79-58-0609-01 | TRIP LEVER SCREW |
| 18 | 79-37-0189-01 | TRIP LEVER | 19 | 79-67-0635-01 | TRIP LEVER SPRING |
| 22 | 79-57-0045-01 | LINE ROLLER | 23 | 79-07-0080-01 | BAIL BRACKET |
| 25 | 79-67-0630-01 | TRIP SPRING | 29 | 79-58-0596-01 | LINE ROLLER SCREW |
| 39 | 79-58-0626-01 | BALL RACE RETAINER SCREW | 40 | 79-53-0061-01 | BALL RACE RETAINER |
| 41 | 79-04-0066-01 | BALL RACE | 42 | 79-46-0100-04 | PINION |
| 43 | 79-27-0172-01 | FRAME | 44 | 79-58-0610-01 | COVER PLATE SCREW |
| 45 | 79-47-0381-01 | COVER PLATE | 46 | 79-07-0081-01 | LEVER WIND BRACKET |
| 48 | 79-58-0611-01 | HOLDER SCREW | 50 | 79-28-0176-01 | DRIVE GEAR |
| 51 | 79-58-0609-01 | NON REVERSE PAWL SCREW | 53 | 79-43-0123-01 | NON REVERSE PAWL |
| 57 | 79-67-0631-01 | NON REVERSE PAWL SPRING | 59 | 79-67-0634-01 | PUSH BUTTON SPRING |
| 60 | 79-10-0079-01 | PUSH BUTTON | 63 | 79-20-0146-01 | HANDLE |
| 70 | 79-72-0644-01 | LINE ROLLER WASHER | 72 | 79-65-0026-01 | SPACER |
| 78 | 79-72-0643-01 | NON REVERSE PAWL WASHER | 88 | 79-12-0054-01 | DUST CAP |
| 91 | 79-28-0175-01 | LEVER WIND GEAR | 92 | 79-58-0612-01 | BRACKET COVER SCREW |
| 95 | 79-47-0387-01 | BRACKET COVER | 106 | 79-19-0102-01 | DRAG COVER |
| 125 | 79-50-0057-01 | CLICK RATCHET | 126 | 79-72-0645-01 | DRAG WASHER |
| 137 | 79-73-0050-01 | COUNTER WEIGHT | 138 | 79-58-0613-01 | COUNTER WEIGHT SCREW |
| 139 | 79-15-0019-01 | C CLIP | 141 | 79-72-0642-01 | TRIP LEVER WASHER |
| 142 | 79-58-0614-01 | TRIP LEVER SPRING | 145 | 79-72-0647-01 | DRIVE GEAR WASHER |
| 146 | 79-09-0030-01 | DRIVE GEAR BUSHING | 150 | 79-67-0632-01 | WIRE SPRING |
| 154 | 79-09-0030-01 | DRIVE GEAR BUSHING | 161 | 79-67-0633-01 | TRIGGER SPRING |
| 162 | 79-72-0648-01 | TRIGGER WASHER | 163 | 79-37-0194-01 | TRIGGER |
| 164 | 79-58-0615-01 | TRIGGER SCREW | 166 | 79-50-0058-01 | N/R RATCHET |
| 167 | 79-71-0005-01 | BRACKET STUD | | | |