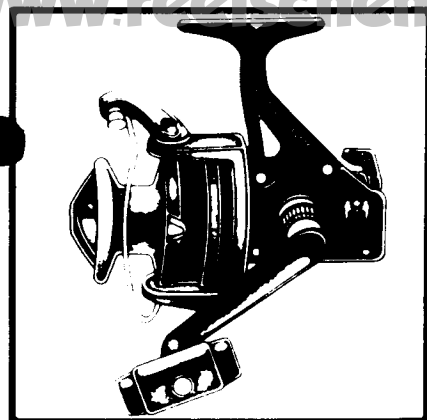
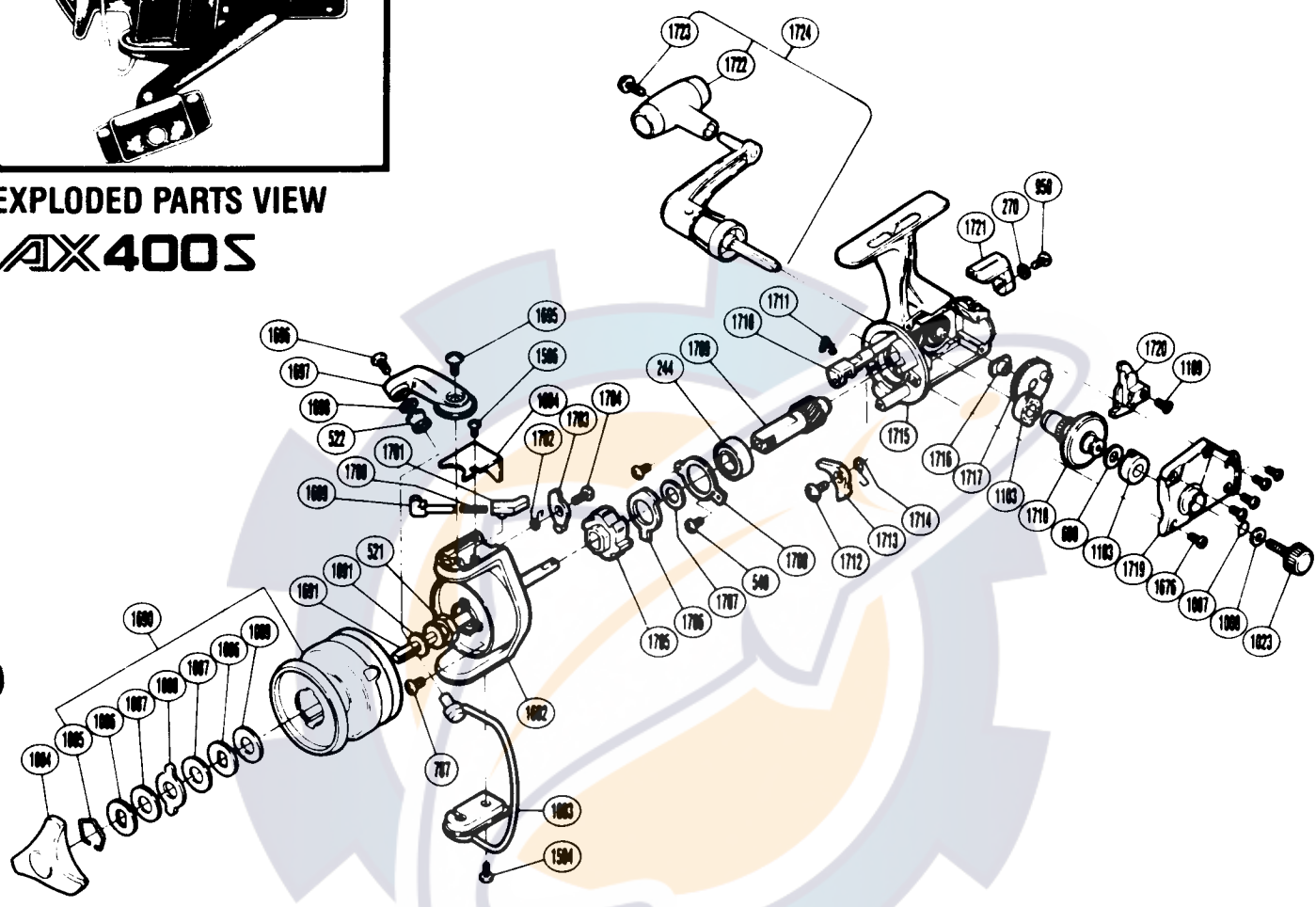


1988 REPAIR MANUAL

Shimano American Corporation, One Shimano Dr.
Irvine, CA 92718



EXPLODED PARTS VIEW
AX400S



PARTS LIST

PART #	DESCRIPTION	PART #	DESCRIPTION	PART #	DESCRIPTION
RD 0244	Ball Bearing	RD 1109	Slider Retainer Screw	RD 1706	Anti-Reverse Lock Out
RD 0270	(Lever Screw) Lock Washer	RD 1504	Bail Hold Cover Screw	RD 1707	Bushing Washer
RD 0521	Rotor Nut	RD 1506	Bail Spring Cover Screw	RD 1708	Bearing Retainer
RD 0522	Line Roller	RD 1676	Side Cover Screw	RD 1709	Pinion Gear
RD 0540	Anti-Reverse Pawl Screw	RD 1690	Spool Assembly	RD 1710	Anti-Reverse Cam
RD 0690	Drive Gear Washer	RD 1691	Main Shaft	RD 1711	Anti-Reverse Cam Spring
RD 0787	Nut Lock Screw	RD 1692	Rotor	RD 1712	Anti-Reverse Pawl Screw
RD 0950	Line Roller Screw	RD 1693	Bail Assembly	RD 1713	Anti-Reverse Pawl
RD 1007	Lock Washer Retainer	RD 1694	Bail Spring Cover	RD 1714	Anti-Reverse Pawl Spring
RD 1008	Handle Lock Washer	RD 1695	Bail Arm Screw	RD 1715	Body
RD 1023	Handle Screw Cap	RD 1696	Line Roller Screw	RD 1716	Oscillating Gear Bushing
RD 1084	Drag Knob	RD 1697	Bail Arm	RD 1717	Oscillating Gear
RD 1085	Drag Washers Retainer	RD 1698	Line Roller Washer	RD 1718	Drive Gear
RD 1086	Key Washer	RD 1700	Bail Spring	RD 1719	Side Cover
RD 1087	Drag Washer 1	RD 1701	Bail Spring Guide B	RD 1720	Oscillating Slider
RD 1088	Eared Washer	RD 1702	Lever Spring	RD 1721	Anti-Reverse Lever
RD 1089	Drag Washer 2	RD 1703	Bail Trip Lever	RD 1722	Handle Knob
RD 1091	Spool Washer	RD 1704	Bail Trip Lever Screw	RD 1723	Handle Knob Screw
RD 1103	Bushing	RD 1705	Anti-Reverse Ratchet	RD 1724	Handle Assembly

Prices and specifications subject to change without notice.

OCTOBER, 1987