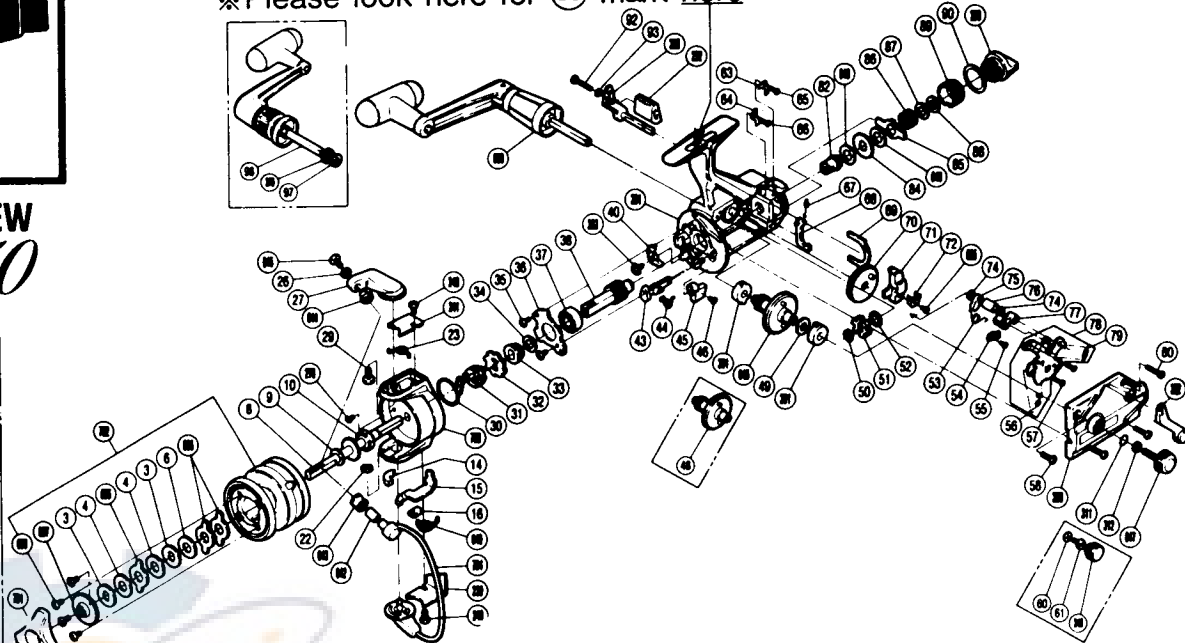
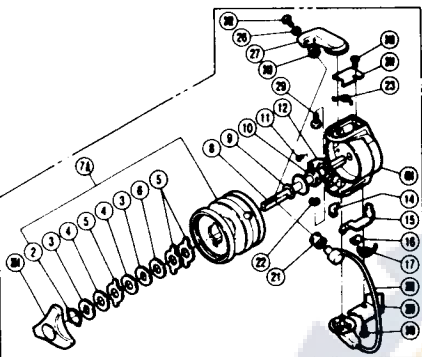
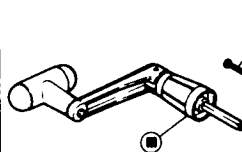
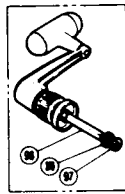


EXPLODED PARTS VIEW
GRAPHITE CONSTRUCTION
BAITRUNNER 350

If your reel does not have an **(89)** mark molded on the top of the reel foot as indicated in the exploded view, please use the parts views in the boxes to order these specific parts. All other parts numbers are as shown in the exploded view.

※ Please look here for **(89)** mark here



PARTS LIST

PART #	DESCRIPTION
BR 0002	Drag Washers Retainer
BR 0003	Key Washer
BR 0004	Drag Washer 1
BR 0005	Eared Washer
BR 0006	Drag Washer 2
BR 0007A	Spool Assembly (Universal)
BR 0008	Main Shaft
BR 0009	Spool Washer
BR 0010	Rotor Nut
BR 0011	Nut Lock Screw
BR 0012	Rotor Nut Lock Plate
BR 0014	Bail Trip Slide Cam
BR 0015	Bail Trip Lever
BR 0016	Trip Lever Guide
BR 0017	Lever Spring
BR 0021	Line Roller
BR 0022	"E" Lock
BR 0023	Bail Spring
BR 0026	Lock Washer
BR 0027	Bail Arm
BR 0029	Bail Arm Screw
BR 0030	Anti-Reverse Pawl Screw
BR 0031	Anti-Reverse Spring Holder
BR 0032	Anti-Reverse Ratchet
BR 0033	Pinion Spacer
BR 0034	Bushing Washer
BR 0035	Bearing Retainer Screw
BR 0036	Bearing Retainer
BR 0037	Ball Bearing
BR 0038	Pinion Gear
BR 0040	Anti-Reverse Pawl
BR 0043	Anti-Reverse Cam
BR 0044	Anti-Reverse Cam Spring
BR 0045	Anti-Reverse Lever
BR 0046	Anti-Reverse Lever Screw
BR 0048	Drive Gear
BR 0049	Drive Gear Washer
BR 0050	"C" Lock
BR 0051	Baitrunner Ratchet

PART #	DESCRIPTION
BR 0052	Ratchet Spacer
BR 0053	Clutch Spring
BR 0054	Lever Shaft Retainer
BR 0055	Shaft Retainer Screw
BR 0056	Clutch Pawl Spring
BR 0057	Clutch Plate Screw
BR 0058	Side Cover Screw A
BR 0060	Handle Lock Washer
BR 0061	Handle Lock Screw
BR 0063	Dial Click
BR 0064	Baitrunner Pawl Guide
BR 0065	Dial Click Screw
BR 0066	Pawl Guide Screw
BR 0067	Baitrunner Pawl Spring
BR 0068	Baitrunner Pawl
BR 0069	Dial Retainer
BR 0070	Oscillating Gear
BR 0071	Oscillating Slider
BR 0072	Oscillating Slider Retainer
BR 0074	Clutch Cam Spacer B
BR 0075	Clutch Cam
BR 0076	Clutch Cam Spacer A
BR 0077	Clutch Arm
BR 0078	Clutch Plate Assembly
BR 0079	Baitrunner Click Spring
BR 0080	Side Cover Screw B
BR 0082	Free Spool Tension Shaft
BR 0084	Click Gear
BR 0085	Eared Washer "BFS"
BR 0086	Free Spool Tension Spring
BR 0087	Tension Spring Washer "A"
BR 0088	Tension Spring Washer "B"
BR 0089	Free Spool Tension Screw
BR 0090	Dial Spacer
BR 0092	Baitrunner Lever Screw
BR 0093	Lock Washer
BR 0096	Handle Assembly
BR 0097	Handle Lock Spacer
BR 0238	Bail Assembly

PART #	DESCRIPTION
BR 0239	Bail Trip Cover
BR 0240	Bail Trip Cover Screw
BR 0241	Bail Spring Cover
BR 0242	Line Roller Screw
BR 0243	Line Roller Washer
BR 0248	Handle Screw Cap
BR 0250	Baitrunner Tension Dial
BR 0252	Baitrunner Lever Bridge
BR 0278	Nut Lock Screw
BR 0301	Bushing
BR 0311	Lock Washer Retainer
BR 0312	Handle Lock Washer
BR 0354	Drag Knob
BR 0363	Anti-Reverse Pawl Screw
BR 0379	Handle Lock Ring
BR 0380	Side Cover
BR 0381	Body
BR 0382	Baitrunner Lever Arm (L)
BR 0383	Baitrunner Lever Arm (R)
BR 0404	Rotor
BR 0636	Seal Plate Screw
BR 0637	Seal Plate
BR 0640	Lever Spring
BR 0642	Line Roller Bushing
BR 0643	Line Roller
BR 0644	Line Roller Washer
BR 0645	Line Roller Screw
BR 0646	Drive Gear
BR 0647	Handle Screw Cap
BR 0648	Free Spool Tension Washer (A)
BR 0649	Free Spool Tension Washer (B)
BR 0650	Handle Assembly
BR 0685	Slider Retainer Screw
BR 0686	Eared Washer
BR 0701	Drag Knob
BR 0702	Spool Assembly
BR 0703	Rotor
BR 0704	Bail Assembly