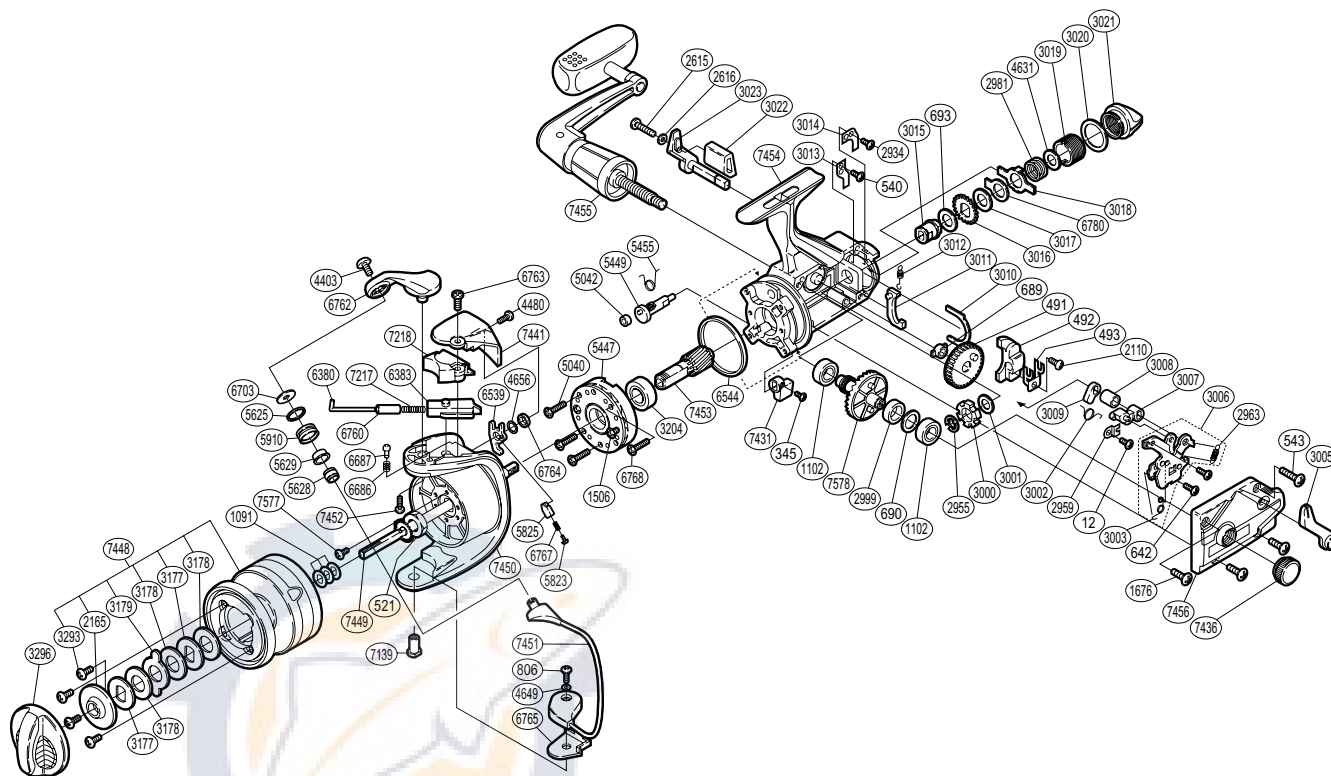


SHIMANO®

BAITRUNNER®

BTR-4500B



| Part No. | Description | Part No. | Description | Part No. | Description |
|----------|-------------------------------|----------|-------------------------------|----------|------------------------------|
| RD 0012 | Shaft Retainer Screw | RD 3009 | Clutch Cam | RD 5825 | Lever Spring Guide (B) |
| RD 0345 | Anti-Reverse Lever Screw | RD 3010 | Dial Retainer | RD 5910 | Line Roller |
| RD 0491 | Oscillating Gear | RD 3011 | BaitRunner Pawl | RD 6380 | Bail Spring Guide (A) |
| RD 0492 | Oscillating Slider | RD 3012 | BaitRunner Pawl Spring | RD 6383 | Bail Spring Guide (B) |
| RD 0493 | Oscillating Slider Retainer | RD 3014 | Dial Click | RD 6539 | Bail Trip Lever |
| RD 0521 | Rotor Nut | RD 3013 | BaitRunner Pawl Guide | RD 6544 | Friction Ring |
| RD 0540 | Pawl Guide Screw | RD 3015 | Free Spool Tension Shaft | RD 6686 | Bail Arm Click Spring |
| RD 0543 | Side Cover Screw (B) | RD 3016 | Click Gear | RD 6687 | Bail Arm Click |
| RD 0642 | Clutch Plate Screw | RD 3017 | Free Spool Tension Washer (B) | RD 6703 | Line Roller Washer |
| RD 0689 | Oscillating Gear Bushing | RD 3018 | Eared Washer "B FS" | RD 6760 | Bail Spring Guide (A) Collar |
| RD 0690 | Drive Gear Washer | RD 3019 | Free Spool Tension Screw | RD 6762 | Bail Arm |
| RD 0693 | Free Spool Tension Washer (A) | RD 3020 | Dial Spacer | RD 6763 | Bail Spring Cover Screw (A) |
| RD 0806 | Bail Hold Support Screw | RD 3021 | BaitRunner Tension Dial | RD 6764 | Spacer |
| RD 1091 | Spool Washer | RD 3022 | BaitRunner Lever Bridge | RD 6765 | Bail Hold Support Spacer |
| RD 1102 | Ball Bearing | RD 3023 | BaitRunner Lever Arm (R) | RD 6767 | Bail Trip Lever Spring |
| RD 1506 | Clutch Cover Screw | RD 3177 | Drag Washer | RD 6768 | Roller Clutch Screw Washer |
| RD 1676 | Side Cover Screw (A) | RD 3178 | Key Washer | RD 6780 | Single Eared Washer |
| RD 2110 | Slider Retainer Screw | RD 3179 | Eared Washer | RD 7139 | Bail Hold Support Shaft |
| RD 2165 | Seal Plate | RD 3204 | Ball Bearing | RD 7217 | Bail Spring |
| RD 2615 | BaitRunner Lever Screw | RD 3293 | Seal Plate Screw | RD 7218 | Bail Spring Cover |
| RD 2616 | Lock Washer | RD 3296 | Drag Knob | RD 7431 | Anti-Reverse Lever |
| RD 2934 | Dial Click Screw | RD 4403 | Line Roller Screw | RD 7436 | Handle Screw Cap |
| RD 2955 | "C" Lock | RD 4480 | Bail Spring Cover Screw (B) | RD 7441 | Bail Spring Cover Guard |
| RD 2959 | Lever Shaft Retainer | RD 4631 | Tension Spring Washer "B" | RD 7448 | Spool Assembly |
| RD 2963 | BaitRunner Click Spring | RD 4649 | Spacer | RD 7449 | Main Shaft |
| RD 2981 | Free Spool Tension Spring | RD 4656 | Bail Trip Lever Washer | RD 7450 | Rotor |
| RD 2999 | Drive Gear Spacer | RD 5040 | Roller Clutch Screw | RD 7451 | Bail Assembly |
| RD 3000 | BaitRunner Ratchet | RD 5042 | Anti-Reverse Cam Ring | RD 7452 | Bail Arm Screw |
| RD 3001 | Ratchet Spacer | RD 5447 | Roller Clutch Assembly | RD 7453 | Pinion Gear |
| RD 3002 | Clutch Spring | RD 5449 | Anti-Reverse Cam | RD 7454 | Body Assembly |
| RD 3003 | Clutch Pawl Spring | RD 5455 | Anti-Reverse Cam Spring | RD 7455 | Handle Assembly |
| RD 3005 | BaitRunner Lever Arm (L) | RD 5625 | Line Roller Spacer | RD 7456 | Side Cover |
| RD 3006 | Clutch Plate Assembly | RD 5628 | Line Roller Collar | RD 7577 | Nut Lock Screw |
| RD 3007 | Clutch Arm | RD 5629 | Line Roller Bushing | RD 7578 | Drive Gear |
| RD 3008 | Clutch Cam Spacer | RD 5823 | Lever Spring Guide (A) | | |