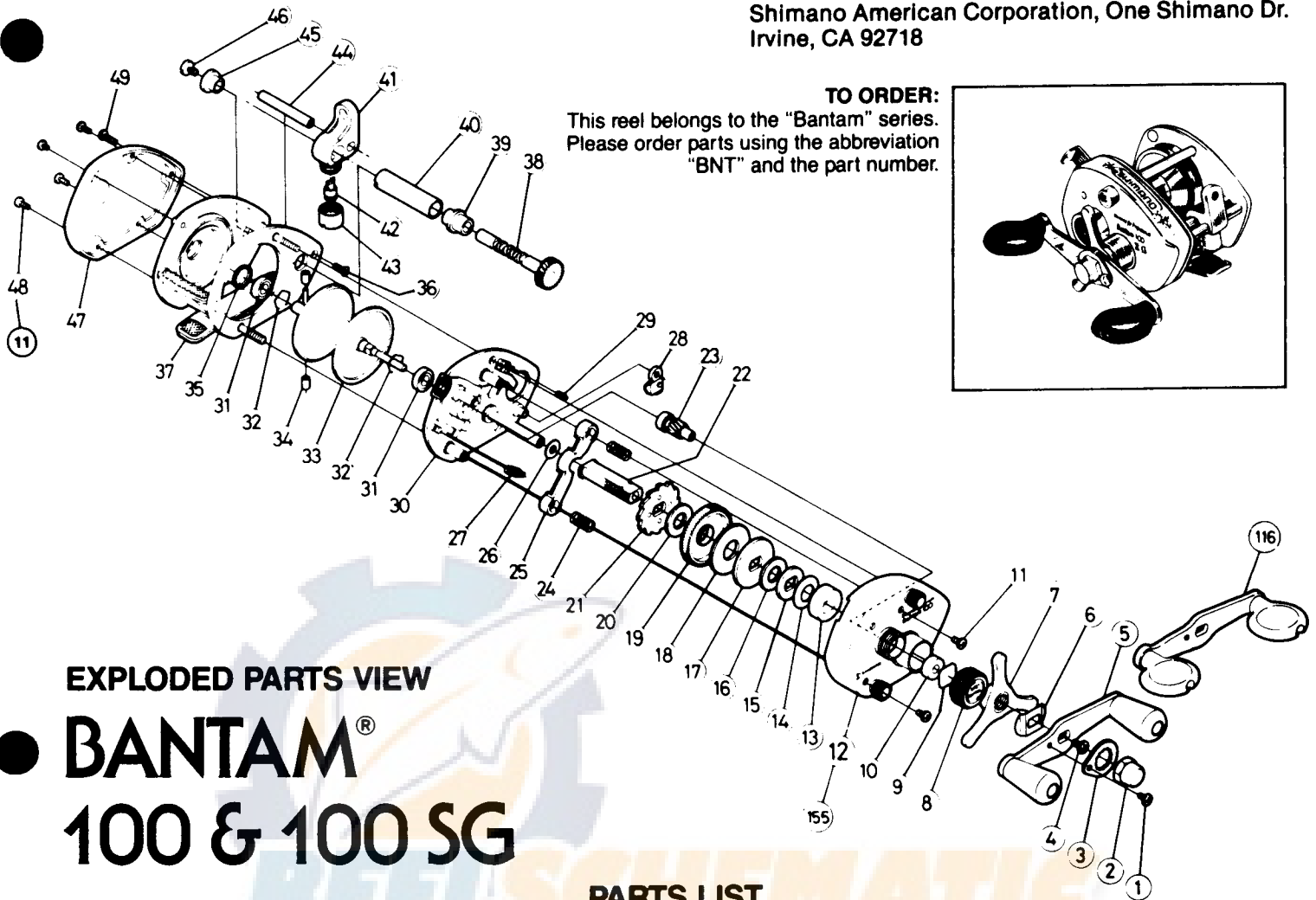
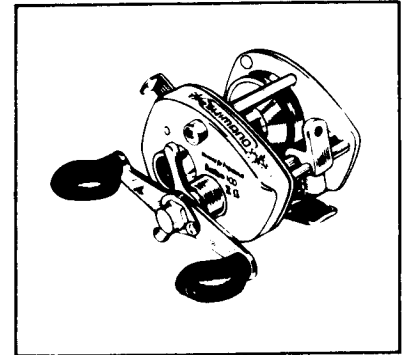


TO ORDER:

This reel belongs to the "Bantam" series.
Please order parts using the abbreviation
"BNT" and the part number.



EXPLODED PARTS VIEW

BANTAM[®] 100 & 100 SG

PARTS LIST

PART #	DESCRIPTION	PART #	DESCRIPTION	PART #	DESCRIPTION
1.	Handle Nut Lock Screw	19.	Drive Gear	37.	Frame Assembly
2.	Handle Nut	20.	Base Drag Washer	38.	Level Wind Gear
3.	Handle Nut Lock Plate	21.	Anti Reverse Ratchet	39.	Level Wind Bearing (Right)
4.	Drive Shaft Retainer Screw	22.	Drive Shaft	40.	Level Wind Guard
5.	Handle	23.	Pinion Gear	41.	Line Guide
6.	Friction Washer	24.	Pinion Yoke Spring	42.	Level Wind Pawl
7.	Drag Tri-Star	25.	Pinion Yoke	43.	Pawl Cap
8.	Cast Control Cap	26.	Drive Shaft Shim	44.	Line Guide Stabilizer Bar
9.	Cast Control Spacer	27.	Retractor Spring #1	45.	Level Wind Bearing (Left)
10.	Cast Control Bushing	28.	Anti Reverse Dog	46.	Level Wind Retainer Screw (Left Hand Thread)
11.	Side Plate Screw	29.	Retractor Spring #2	47.	Left Side Plate
12.	Right Side Plate	30.	Set Plate	48.	Left Side Plate Screw
13.	Drive Shaft Bearing	31.	Spool Shaft Bearing	49.	Left Stabilizer Bar Screw
14.	Drag Spring Washer	32.	Bearing Lock	60.	Line Guide Pawl Spacer*
15.	"D" Washer	33.	Spool	116.	Handle (100 SG)
16.	Drag Spacer	34S.	Centrifugal Brake Weights (Small)	155.	Right Side Plate (100 SG)
17.	Pressure Plate	34L.	Centrifugal Brake Weights (Large)		
18.	Drag Washer	35.	Left Bearing Spacer		
		36.	Right Stabilizer Bar Screw		

Prices and specifications subject to change without notice.

*Optional—not shown in exploded view.