

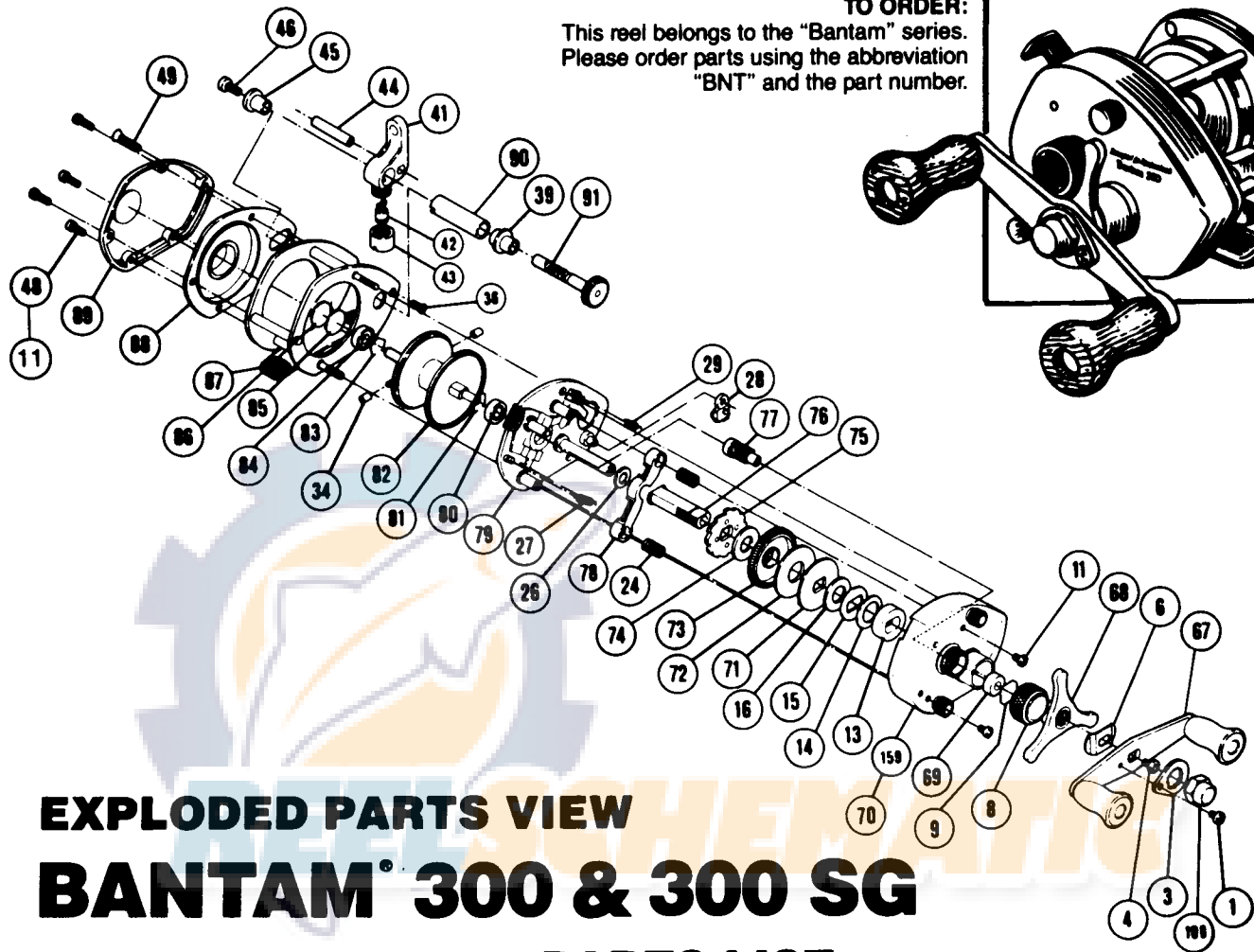
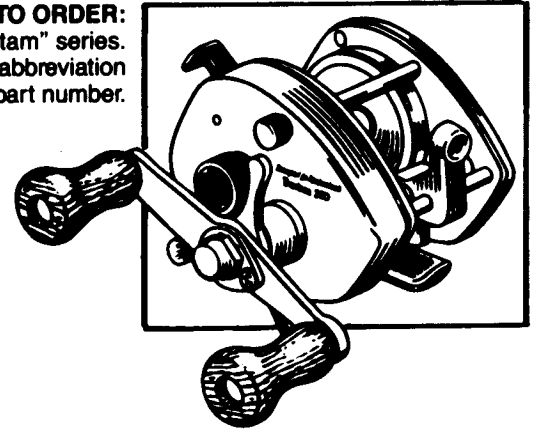
SHIMANO®

1987 REPAIR MANUAL

Shimano American Corporation, One Shimano Dr.
Irvine, CA 92718

TO ORDER:

This reel belongs to the "Bantam" series.
Please order parts using the abbreviation
"BNT" and the part number.



EXPLODED PARTS VIEW

BANTAM® 300 & 300 SG

PARTS LIST

PART# DESCRIPTION

- 1 Handle Nut Lock Screw
- 3 Handle Nut Lock Plate
- 4 Drive Shaft Retainer Screw
- 6 Friction Washer
- 8 Cast Control Cap
- 9 Cast Control Spacer
- 11 Sideplate Screw
- 13 Drive Shaft Bearing
- 14 Drag Spring Washer
- 15 "D" Washer
- 16 Drag Spacer
- 24 Pinion Yoke Spring
- 26 Drive Shaft Shim
- 27 Retractor Spring #1
- 28 Anti Reverse Dog
- 29 Retractor Spring #2
- 34S Centrifugal Brake Weights (Small)
- 34L Centrifugal Brake Weights (Large)

PART# DESCRIPTION

- 36 Right Stabilizer Bar Screw
- 39 Level Wind Bearing (Right)
- 41 Line Guide
- 42 Level Wind Pawl
- 43 Pawl Cap
- 44 Line Guide Stabilizer Bar
- 45 Level Wind Bearing (Left)
- 46 Level Wind Retainer Screw
- 48 Left Side Plate Screw
- 49 Left Stabilizer Bar Screw
- 60 Line Guide Pawl Spacer*
- 67 Handle
- 68 Drag Tri-Star
- 69 Spool Shaft Bushing
- 70 Right Side Plate
- 71 Pressure Plate
- 72 Drag Washer
- 73 Drive Gear
- 74 Base Drag Washer

PART# DESCRIPTION

- 75 Anti Reverse Ratchet
- 76 Drive Shaft
- 77 Pinion Gear
- 78 Pinion Yoke
- 79 Set Plate
- 80 Right Spool Bearing
- 81 Right Bearing Lock
- 82 Spool
- 83 Left Bearing Lock
- 84 Left Spool Bearing
- 85 Left Bearing Spacer
- 86 Left Bearing Shim
- 87 Frame
- 88 Left Bearing Plate
- 89 Left Side Plate
- 90 Level Wind Guard
- 91 Level Wind Gear
- 108 Handle Nut
- 159 Right Side Plate (300 SG)

*Optional—not shown in exploded view.

Prices and specifications subject to change without notice.