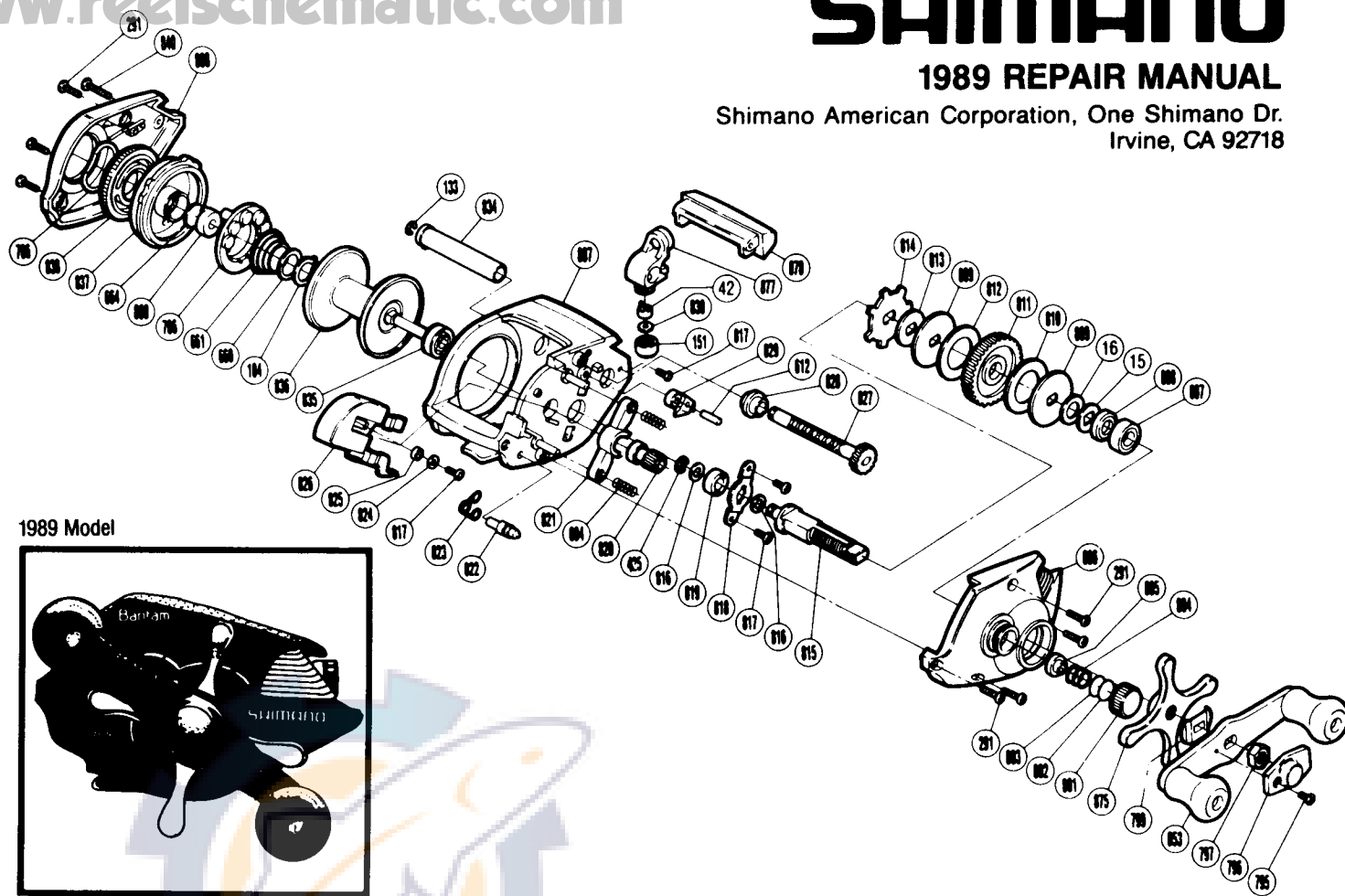
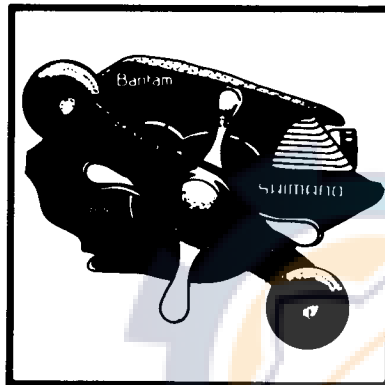


1989 REPAIR MANUAL

Shimano American Corporation, One Shimano Dr.
Irvine, CA 92718



1989 Model



EXPLODED PARTS VIEW Bantam B-Mag 1000

PARTS LIST

PART #	DESCRIPTION
BNT 0015	Drag Spring Washer
BNT 0016	Friction Washer (C)
BNT 0042	Line Guide Pawl
BNT 0133	Worm Shaft Retainer
BNT 0151	Pawl Cap
BNT 0194	Magnet Retainer Lock
BNT 0291	Side Plate Screw
BNT 0425	Clutchbutton Lock
BNT 0604	Yoke Spring
BNT 0612	Anti-Reverse Pawl Pin
BNT 0660	Spring Spacer
BNT 0661	Magnet Retainer Spring
BNT 0664	Spacer (B)
BNT 0706	Magnet Retainer
BNT 0766	Dial Friction Washer
BNT 0795	Handle Nut Plate Screw
BNT 0796	Handle Nut Plate
BNT 0797	Handle Nut
BNT 0799	Friction Washer
BNT 0801	Cast Control Cap
BNT 0802	Spool Tension Spacer (B)

PART #	DESCRIPTION
BNT 0803	Spool Tension Spacer (A)
BNT 0804	Spool Tension Spring
BNT 0805	Spool Shaft Bushing (A)
BNT 0807	Drive Shaft Bearing
BNT 0808	Friction Washer (B)
BNT 0809	Key Washer (A)
BNT 0810	Drag Washer (A)
BNT 0811	Drive Gear
BNT 0812	Drag Washer (B)
BNT 0813	Key Washer (B)
BNT 0814	Anti-Reverse Ratchet
BNT 0815	Drive Shaft
BNT 0816	Drive Shaft Washer
BNT 0817	Multi Purpose Screw
BNT 0818	Drive Shaft Retainer
BNT 0819	Drive Shaft Bushing
BNT 0820	Pinion Gear
BNT 0821	Yoke
BNT 0822	Retractor Spring Pin
BNT 0823	Retractor Spring
BNT 0824	Yoke Plate Washer (B)

PART #	DESCRIPTION
BNT 0825	Yoke Plate Washer (A)
BNT 0826	Clutch Button
BNT 0827	Worm Shaft
BNT 0828	Worm Bearing
BNT 0829	Anti-Reverse Pawl
BNT 0830	Spacer (Optional)
BNT 0834	Level Wind Guard
BNT 0835	Spool Guard Bushing (B)
BNT 0836	Spool
BNT 0837	Dial Case
BNT 0838	Magnetic Control Dial
BNT 0840	Left Side Plate Screw
BNT 0853	Handle Assembly
BNT 0875	Star Drag
BNT 0877	Line Guide
BNT 0878	Level Wind Protector
BNT 0880	Spool Shaft Bushing (C)
BNT 0886	Right Side Plate
BNT 0887	One-Piece Frame
BNT 0888	Left Side Plate

Prices and specifications subject to change without notice.

OCTOBER, 1988