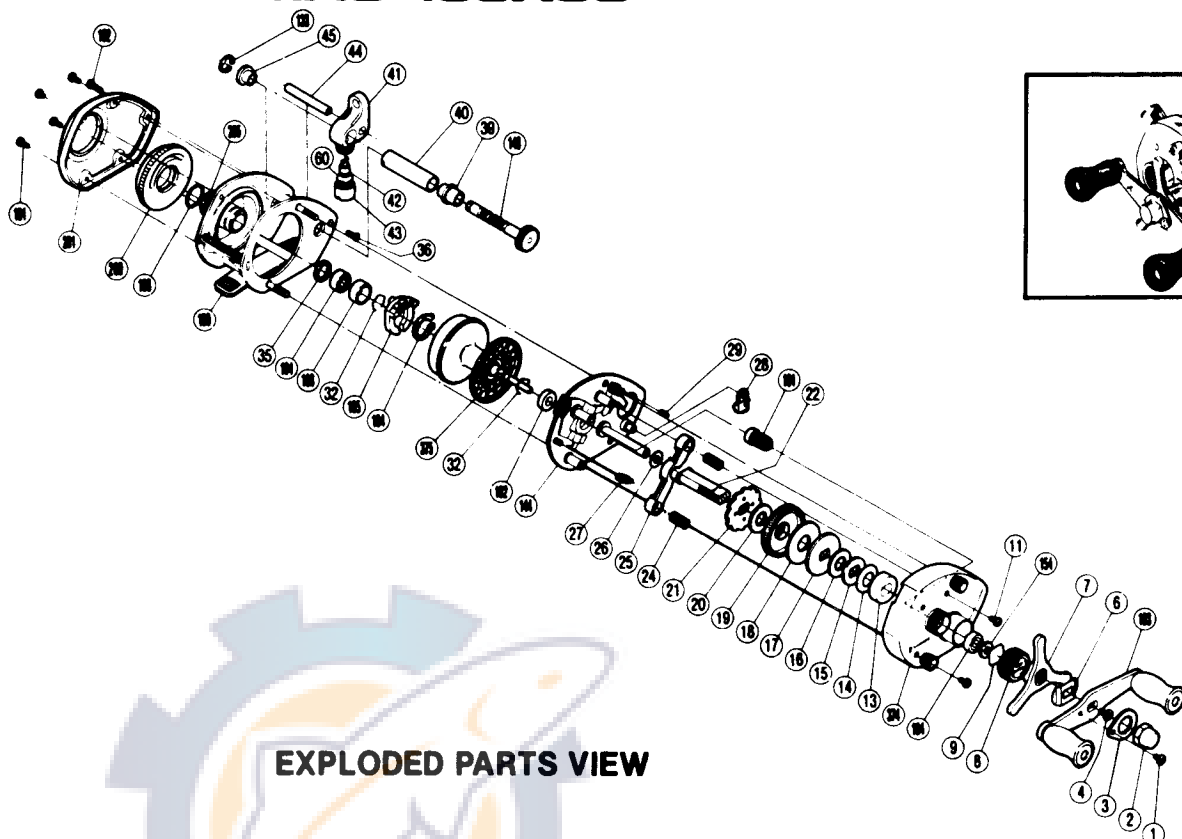


BANTAM[®] MAG-100X80



EXPLODED PARTS VIEW

TO ORDER:
 Original Key # and Original Code # are for cross-reference only. Please order parts using the Part # column and the prefix "BNT" which indicates the Bantam reel series.

PARTS LIST

ORIGINAL PART #	ORIGINAL KEY #	ORIGINAL CODE #	DESCRIPTION	ORIGINAL PART #	ORIGINAL KEY #	ORIGINAL CODE #	DESCRIPTION
1.	1.	7-0014 3010	Handle Nut Plate Screw	29.	30.	7-1822 0610	Retractor Spring (B)
2.	2.	7-2123 0610	Handle Nut	144.	31.	6-1809 0614	Set Plate Assembly
3.	3.	7-2124 0610	Handle Nut Plate	182.	32.	7-1845 0600	Bushing (C)
4.	4.	7-0013 4050	Drive Shaft Screw	32.	33.	7-1516 0610	Bearing Retainer
193.	5.	6-2129 0612	Handle Assembly	375.	34.	7-1701 0615	Spool Assembly
6.	6.	7-2116 0610	Friction Washer (A)	184.	35.	7-0040 5070	Magnet Retainer Lock
7.	7.	6-2119 0610	Star Drag Assembly	185.	36.	7-1593 0612	Magnet Retainer Assembly
8.	8.	7-2010 0610	Cast Control Cap	198.	37.	7-1599 0612	Bearing Spacer
9.	9.	7-2060 0610	Spacer (A)	35.	38.	7-1515 0610	Spacer (B)
154.	10.	7-2052 0600	Felt Washer	36.	39.	7-0012 0010	Right Stabilizer Bar Screw
194.	11.	7-2006 0110	Bearing	148.	40.	6-1609 0600	Worm Shaft Assembly
11.	12.	7-0013 0050	Set Plate Screw	39.	41.	7-1605 0610	Worm Bearing (A)
374.	13.	6-2019 0615	Right Side Plate Assembly	40.	42.	7-1606 0610	Level Wind Guard
13.	14.	7-2113 0610	Bushing (B)	41.	43.	6-1619 0610	Line Guide Assembly
14.	15.	7-2111 0610	Friction Washer (B)	42.	44.	7-1611 0610	Line Guide Pawl
15.	16.	7-2112 0610	Drag Spring Washer	60.	45.	7-1431 0610	Line Guide Pawl Washer (Optional)
16.	17.	7-2110 0610	Friction Washer (C)	43.	46.	7-1612 0610	Pawl Cap
17.	18.	7-2108 0610	Key Washer	44.	47.	7-1607 0610	Stabilizer Bar
18.	19.	7-2107 0610	Drag Washer	45.	48.	7-1601 0610	Worm Bearing (B)
19.	20.	7-2106 0610	Drive Gear	133.	49.	7-1618 0600	Worm Shaft Retainer
20.	21.	7-2105 0610	Drive Shaft Washer (B)	199.	50.	6-1509 0612	Frame Assembly
21.	22.	7-2103 0610	Anti-Reverse Ratchet	265.	51.	7-0020 9030	Thrust Washer Spacer (Optional)
22.	23.	7-2102 0610	Drive Shaft	188.	52.	7-2005 0610	O Ring
24.	24.	7-1817 0610	Yoke Spring	200.	53.	7-1442 0611	Magnetic Control Dial
25.	25.	7-1816 0610	Yoke	201.	54.	7-1401 0612	Left Side Plate
26.	26.	7-2101 0610	Drive Shaft Washer (A)	191.	55.	7-0013 0040	Left Side Plate Screw
27.	27.	7-1821 1000	Retractor Spring (A)	192.	56.	7-0013 0060	Left Stabilizer Bar Screw
181.	28.	6-1729 0602	Pinion Gear Assembly				
28.	29.	7-1824 0610	Anti-Reverse Pawl Assembly				