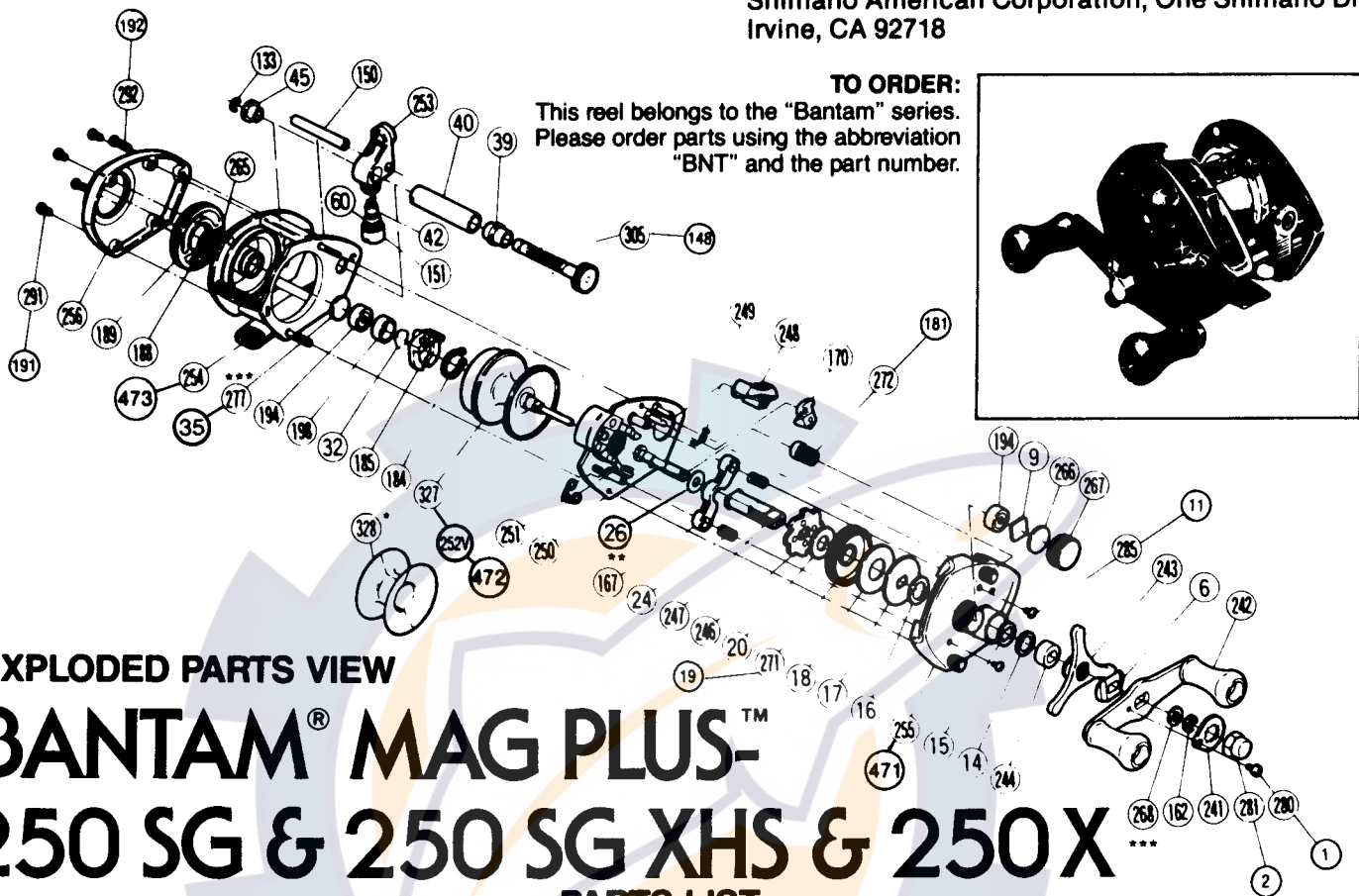


Shimano American Corporation, One Shimano Dr.
Irvine, CA 92718



EXPLODED PARTS VIEW

BANTAM® MAG PLUS™ 250 SG & 250 SG XHS & 250 X

PARTS LIST

PART #	DESCRIPTION	PART #	DESCRIPTION	PART #	DESCRIPTION
1.	Handle Nut Lock Screw	162.	"C" Lock	254.	Frame
2.	Handle Nut	167.	Pinion Yoke	255.	Right Side Plate
6.	Friction Washer	170.	Anti Reverse Dog	256.	Left Side Plate
9.	Cast Control Spacer	181.	Pinion Gear (Std.)	265.	Thrust Washer
11.	Side Plate Screw	184.	Magnet Retainer Lock	266.	Right Bearing Spacer
14.	Drag Spring Washer	185.	Magnet Retainer	267.	Cast Control Cap
15.	"D" Washer	188.	O Ring	268.	Drive Shaft Shim***
16.	Drag Spacer	189.	Magnetic Control Dial	271.	Drive Gear (XHS)
17.	Pressure Plate	191.	Side Plate Screw	272.	Pinion Gear (XHS)
18.	Drag Washer	192.	Stabilizer Bar Screw	277.	Bearing Spacer(Fiber)
19.	Drive Gear (Std.)	194.	Spool Shaft Bearing	280.	Handle Nut Lock Screw (Black)
20.	Base Drag Washer	198.	Bearing Spacer	281.	Handle Nut (Black)
24.	Pinion Yoke Spring	241.	Handle Nut Lock Plate	285.	Side Plate Screw (Black)
26.	Drive Shaft Shim**	242.	Handle	291.	Side Plate Screw (Black)
32.	Bearing Lock	243.	Drag Tri-Star	292.	Stabilizer Bar Screw (Black)
35.	Bearing Spacer(Brass)	244.	Drive Shaft Bearing	305.	Level Wind Gear (XHS)
39.	Level Wind Bearing Right	246.	Anti Reverse Ratchet	327.	Spool (Lg. Capacity Convertible)
40.	Level Wind Guard	247.	Drive Shaft	328.	V-Spool Converter *
42.	Level Wind Pawl	248.	Anti Reverse Switch	471.	Right Side Plate(250 X)
45.	Level Wind Bearing Left	249.	Switch Spring	472.	V-Spool (250 X)
60.	Pawl Shim (optional)	250.	Set Plate	473.	Frame (250 X)
133.	Level Wind Gear Lock	251.	Retractor Spring		
148.	Level Wind Gear (Std.)	252V.	V-Spool (Old Style)		
150.	Stabilizer Bar	253.	Line Guide		
151.	Pawl Cap				

Prices and specifications subject to change without notice.

*Useable with 327 spool only.

**not on XHS or X models

***XHS and X models

NOTE: 252-V has been superseded by 327 with 328 installed.