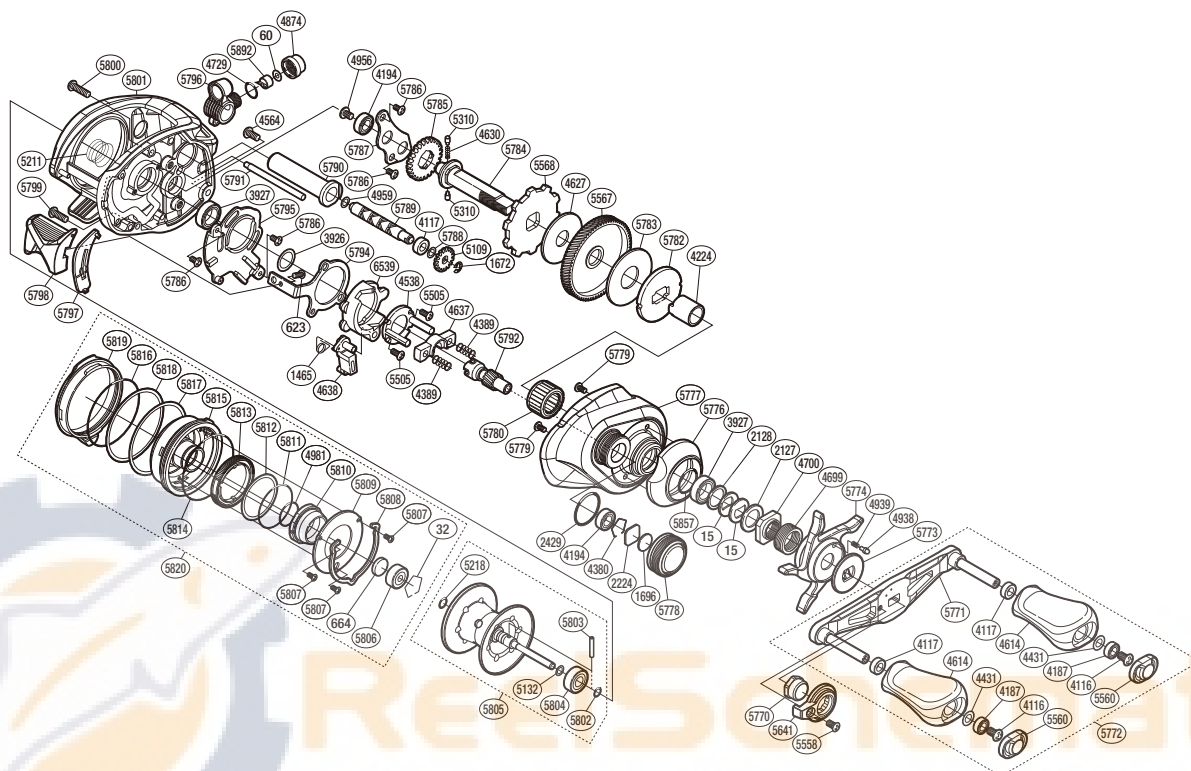


# SHIMANO

Bantam SA-RB

MGL

BTM MGL-R



The (5804) Bearing, (5803) Spool clutch pin, and (5780) Roller clutch cannot be replaced by the customer. To replace these parts, please request after-sales service.

Please note that the number of adjusting washers may not be the same as shown in the exploded views. (Adjustment will vary with each individual product.)

(51RL10000X)

Part No.	Description	Part No.	Description	Part No.	Description
BNT0015	Drag Spring Washer	BNT4939	Click Spring	BNT5791	Level Wind Guide
BNT0032	Bearing Retainer	BNT4956	Screw	BNT5792	Pinion Gear
BNT0060	Spacer	BNT4959	Washer	BNT5794	Clutch Plate
BNT0623	Screw	BNT4981	O Ring	BNT5795	Clutch Guard
BNT0664	Spacer B	BNT5109	Idle Gear	BNT5796	Line Guide Pawl Holder Assembly
BNT1465	Clutch Pawl Spring	BNT5132	Washer	BNT5797	Clutch Bar Guide B
BNT1672	E Lock	BNT5211	Bearing Pressure Spring	BNT5798	Clutch Lever Assembly
BNT1696	Cast Control Spacer	BNT5218	O Ring	BNT5799	Screw
BNT2127	Star Drag Spacer	BNT5310	Idle Gear Pin	BNT5800	Screw
BNT2128	Bearing Washer	BNT5505	Screw	BNT5801	Frame Assembly
BNT2224	Spool Tension Spacer	BNT5558	Screw	BNT5802	O Ring
BNT2429	O Ring	BNT5560	Handle Knob Seal	BNT5803	Spool Clutch Pin
BNT3926	Washer	BNT5567	Drive Gear	BNT5804	Ball Bearing
BNT3927	Ball Bearing	BNT5568	Anti-Reverse Ratchet	BNT5805	Spool Assembly (With Bearing)
BNT4116	Screw	BNT5641	Handle Nut Plate	BNT5806	Ball Bearing
BNT4117	Bushing	BNT5770	Handle Nut	BNT5807	Screw
BNT4187	Ball Bearing	BNT5771	Handle Shank Assembly	BNT5808	Cam Lever Retainer
BNT4194	Ball Bearing	BNT5772	Handle Assembly	BNT5809	Br Dial Retainer Plate
BNT4224	Roller Clutch Inner Tube	BNT5773	Star Drag Click Plate	BNT5810	Brake Pipe Gear Assembly
BNT4380	Retainer	BNT5774	Star Drag	BNT5811	O Ring
BNT4389	Yoke Spring	BNT5776	Clutch Button Attachment	BNT5812	Washer
BNT4431	Washer	BNT5777	Right Side Plate	BNT5813	Br Dial
BNT4538	Clutch Cam Retainer	BNT5778	Cast Control Cap	BNT5814	O Ring
BNT4564	Screw	BNT5779	Screw	BNT5815	Brake Case Assembly
BNT4614	Handle Knob	BNT5780	Roller Clutch Bearing	BNT5816	O Ring
BNT4627	Drag Washer	BNT5782	Pressure Plate	BNT5817	Washer
BNT4630	Idle Gear Spring	BNT5783	Drag Washer	BNT5818	Washer
BNT4637	Yoke	BNT5784	Drive Shaft	BNT5819	Left Side Plate Cam Lever
BNT4638	Clutch Pawl	BNT5785	Idle Gear	BNT5820	Left Side Plate Assembly
BNT4699	Star Drag Spring	BNT5786	Screw	BNT5857	O Ring
BNT4700	Star Drag Nut	BNT5787	Drive Shaft Retainer	BNT5892	Line Guide Pawl
BNT4729	O Ring	BNT5788	Washer	BNT6539	Clutch Cam
BNT4874	Pawl Cap	BNT5789	Worm Shaft		
BNT4938	Click Pin	BNT5790	Level Wind Guard	BNT4692	B-100 Oil (accessory)