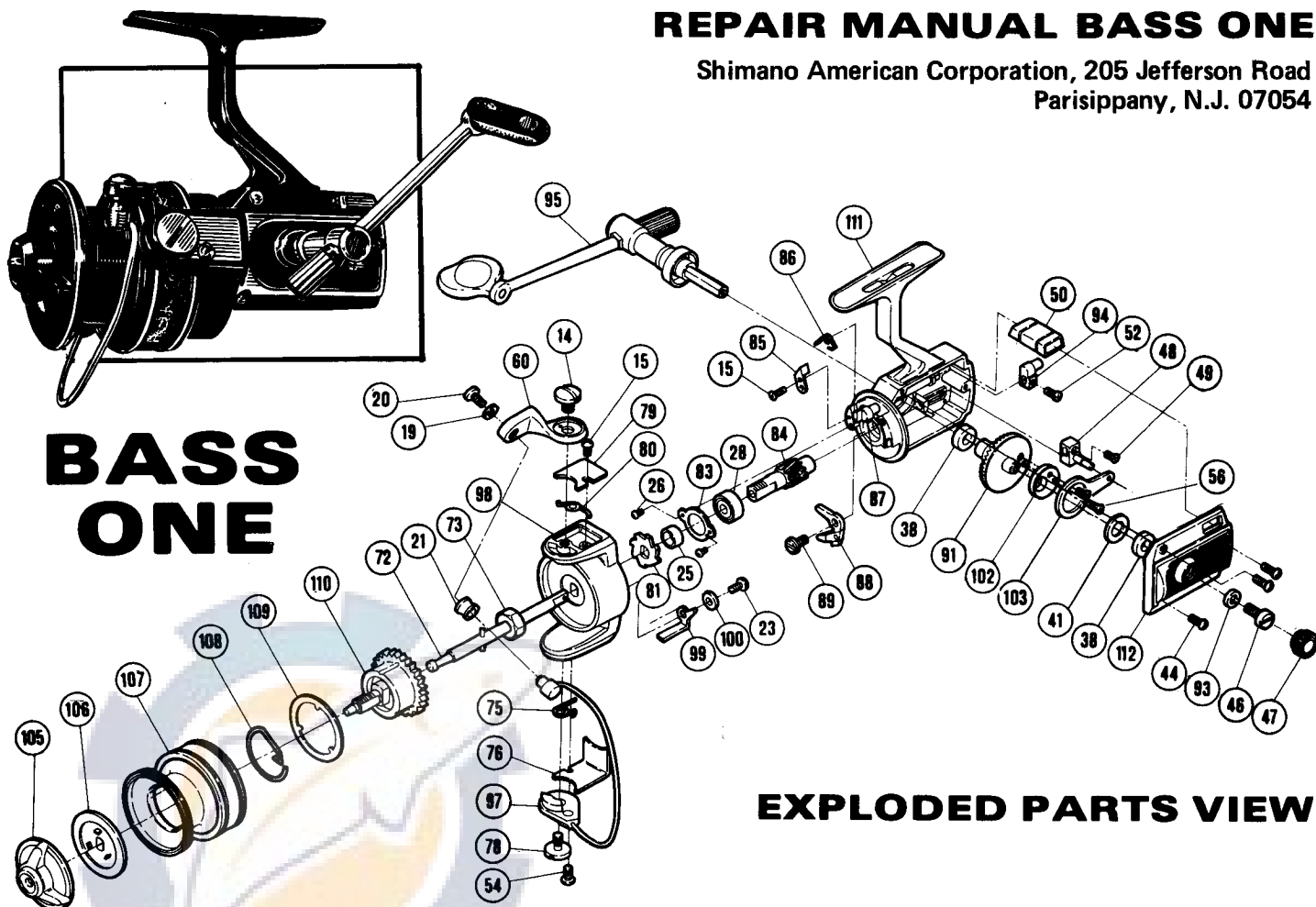




**REPAIR MANUAL BASS ONE**

Shimano American Corporation, 205 Jefferson Road  
Parisippany, N.J. 07054



**EXPLODED PARTS VIEW**

**REELSCHEMATIC PARTS LIST**

| PART # | DESCRIPTION             | PRICE | PART # | DESCRIPTION               | PRICE | PART # | DESCRIPTION              | PRICE |
|--------|-------------------------|-------|--------|---------------------------|-------|--------|--------------------------|-------|
| 14     | Bail Mount Screw        | .50   | 56     | Oscillation Disk Screw    | .15   | 91     | Drive Gear               | 10.00 |
| 15     | Bail Spring Cover Screw | .15   | 60     | Bail Mount                | 1.75  | 93     | Handle Screw Lock Washer | .20   |
| 19     | Line Guide Lock Washer  | .15   | 72     | Spool Axle                | 4.75  | 94     | Anti Reverse Actuator    | .65   |
| 20     | Line Guide Screw        | .50   | 73     | Rotor Nut                 | .25   | 95     | Handle                   | 6.00  |
| 21     | Roller Line Guide       | 1.25  | 75     | Trip Lever Spring         | .25   | 97     | Bail Wire                | 2.70  |
| 23     | Trip Lever Screw        | .15   | 76     | Trip Lever Cover          | .35   | 98     | Rotor                    | 7.00  |
| 25     | Anti Reverse Spacer     | .25   | 78     | Bail Wire Screw           | .50   | 99     | Trip Lever               | .85   |
| 26     | Bearing Lock Screw      | .15   | 79     | Bail Spring Cover         | .20   | 100    | Trip Lever Spacer        | .15   |
| 28     | Ball Bearing            | 5.00  | 80     | Bail Spring               | .25   | 102    | Oscillation Disk         | .35   |
| 38     | Drive Gear Bushing      | .50   | 81     | Anti Reverse Ratchet      | .50   | 103    | Oscillation Guide        | .40   |
| 41     | Thrust Washer           | .15   | 83     | Bearing Lock              | .15   | 105    | Drag Adjusting Knob      | 2.00  |
| 44     | Side Plate Screw        | .15   | 84     | Pinion Gear               | 4.25  | 106    | Drag Disk                | .50   |
| 46     | Handle Retainer Screw   | .40   | 85     | Trip Cam                  | .35   | 107    | Spool Shell              | 16.50 |
| 47     | Dust Cap                | .35   | 86     | Anti Reverse Shaft Spring | .20   | 108    | Click Spring             | .50   |
| 48     | Oscillation Block       | .65   | 87     | Anti Reverse Shaft        | .75   | 109    | Base Drag Washer         | .15   |
| 49     | Oscillation Block Screw | .15   | 88     | Anti Reverse Dog          | 1.00  | 110    | Spool Spindle            | 4.00  |
| 50     | Anti Reverse Switch     | 1.00  | 89     | Anti Reverse Dog Screw    | .35   | 111    | Housing                  | 11.00 |
| 52     | Actuator Screw          | .15   |        |                           |       | 112    | Side Plate               | 5.75  |
| 54     | Trip Lever Cover Screw  | .15   |        |                           |       |        |                          |       |

Prices and specifications subject to change without notice.