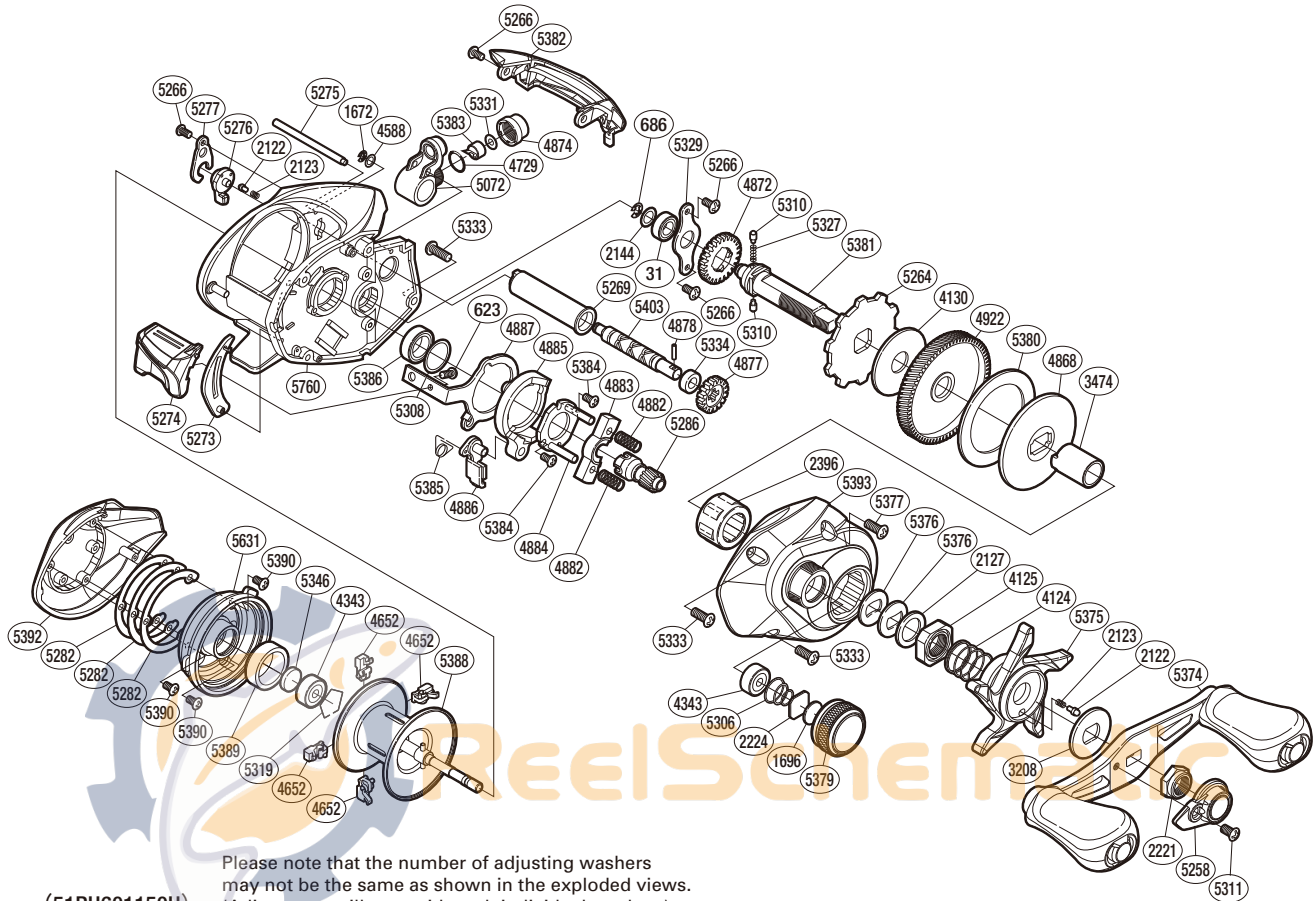


# SHIMANO

## CAENAN

## CAE-150HGA



Please note that the number of adjusting washers may not be the same as shown in the exploded views. (Adjustment will vary with each individual product.)

(51RH601150U)

Part No.	Description	Part No.	Description	Part No.	Description
BNT0031	Ball Bearing	BNT4882	Yoke Spring	BNT5331	Spacer
BNT0623	Screw	BNT4883	Yoke	BNT5333	Screw
BNT0686	E Lock	BNT4884	Clutch Cam Retainer	BNT5334	Bushing
BNT1672	E Lock	BNT4885	Clutch Cam	BNT5346	Spacer B
BNT1696	Cast Control Spacer	BNT4886	Clutch Pawl	BNT5374	Handle Assembly
BNT2122	Click Pin	BNT4887	Clutch Plate	BNT5375	Star Drag
BNT2123	Click Spring	BNT4922	Drive Gear	BNT5376	Drag Spring Washer
BNT2127	Star Drag Spacer	BNT5072	Line Guide	BNT5377	Screw
BNT2144	Washer	BNT5258	Handle Nut Plate	BNT5379	Cast Control Cap
BNT2221	Handle Nut	BNT5264	Anti-Reverse Ratchet	BNT5380	Drag Washer
BNT2224	Spool Tension Spacer	BNT5266	Screw	BNT5381	Drive Shaft
BNT2396	Roller Clutch Bearing	BNT5269	Level Wind Guard	BNT5382	Level Wind Protector
BNT3208	Star Drag Click Plate	BNT5273	Clutch Bar Guide	BNT5383	Line Guide Pawl
BNT3474	Roller Clutch Inner Tube	BNT5274	Clutch Lever	BNT5384	Screw
BNT4124	Star Drag Spring	BNT5275	Stabilizer Bar	BNT5385	Clutch Pawl Spring
BNT4125	Star Drag Nut	BNT5276	Side Plate Cam Lever	BNT5386	Ball Bearing
BNT4130	Drag Washer	BNT5277	Cam Lever Retainer	BNT5388	Spool Assembly
BNT4343	Ball Bearing	BNT5282	Washer	BNT5389	Brake Ring
BNT4588	Washer	BNT5286	Pinion Gear	BNT5390	Screw
BNT4652	Brake Shoe	BNT5306	Spool Tension Spring	BNT5392	Left Side Plate
BNT4729	O Ring	BNT5308	Washer	BNT5393	Right Side Plate
BNT4868	Key Washer	BNT5310	Idle Gear Pin	BNT5403	Worm Shaft
BNT4872	Idle Gear	BNT5311	Screw	BNT5630	Dial Case Assembly
BNT4874	Pawl Cap	BNT5319	Bearing Retainer	BNT5760	Frame Assembly
BNT4877	Idle Gear	BNT5327	Idle Gear Spring		
BNT4878	Worm Shaft Pin	BNT5329	Drive Shaft Retainer	BNT4692	B-100 Oil (accessory)