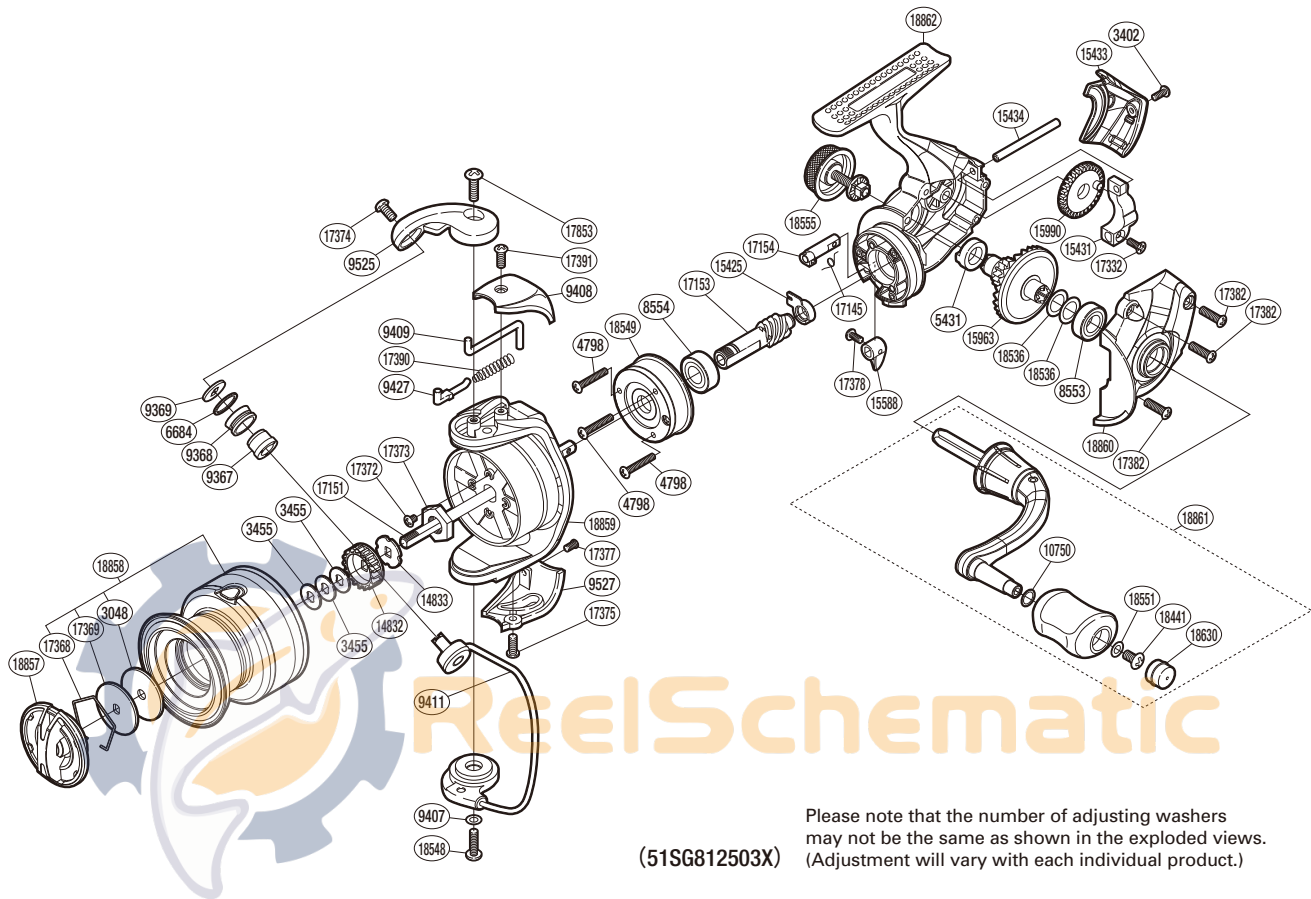


# SHIMANO

## CATANA

### CAT2500FD



Please note that the number of adjusting washers may not be the same as shown in the exploded views. (Adjustment will vary with each individual product.)

(51SG812503X)

Part No.	Description	Part No.	Description	Part No.	Description
RD 3048	Drag Washer	RD14833	Spool Support B	RD17378	Screw
RD 3402	Screw	RD15425	Pinion Gear Bushing	RD17382	Screw
RD 3455	Spool Washer	RD15431	Oscillating Slider	RD17390	Bail Spring
RD 4798	Screw	RD15433	Rear Protector	RD17391	Screw
RD 5431	Drive Gear Bushing	RD15434	Oscillating Guide	RD17853	Screw
RD 6684	Line Roller Spacer	RD15588	Anti-Reverse Lever	RD18441	Screw
RD 8553	Ball Bearing	RD15963	Drive Gear	RD18536	Washer
RD 8554	Ball Bearing	RD15990	Oscillating Gear	RD18548	Screw
RD 9367	Line Roller Bushing	RD17145	Anti-Reverse Cam Spring	RD18549	Roller Clutch Assembly
RD 9368	Line Roller	RD17151	Main Shaft	RD18551	Washer
RD 9369	Washer	RD17153	Pinion Gear	RD18555	Handle Screw Cap
RD 9407	Washer	RD17154	Anti-Reverse Cam	RD18630	Handle Knob Seal
RD 9408	Bail Spring Cover	RD17332	Screw	RD18857	Drag Knob
RD 9409	Bail Trip Lever	RD17368	Drag Washers Retainer	RD18858	Spool Assembly
RD 9411	Bail Assembly	RD17369	Key Washer	RD18859	Rotor
RD 9427	Bail Spring Guide	RD17372	Screw	RD18860	Side Cover
RD 9525	Bail Arm	RD17373	Rotor Nut	RD18861	Handle Assembly
RD 9527	Bail Hold Support Guard	RD17374	Screw	RD18862	Body
RD10750	Washer	RD17375	Screw		
RD14832	Spool Support A	RD17377	Screw		