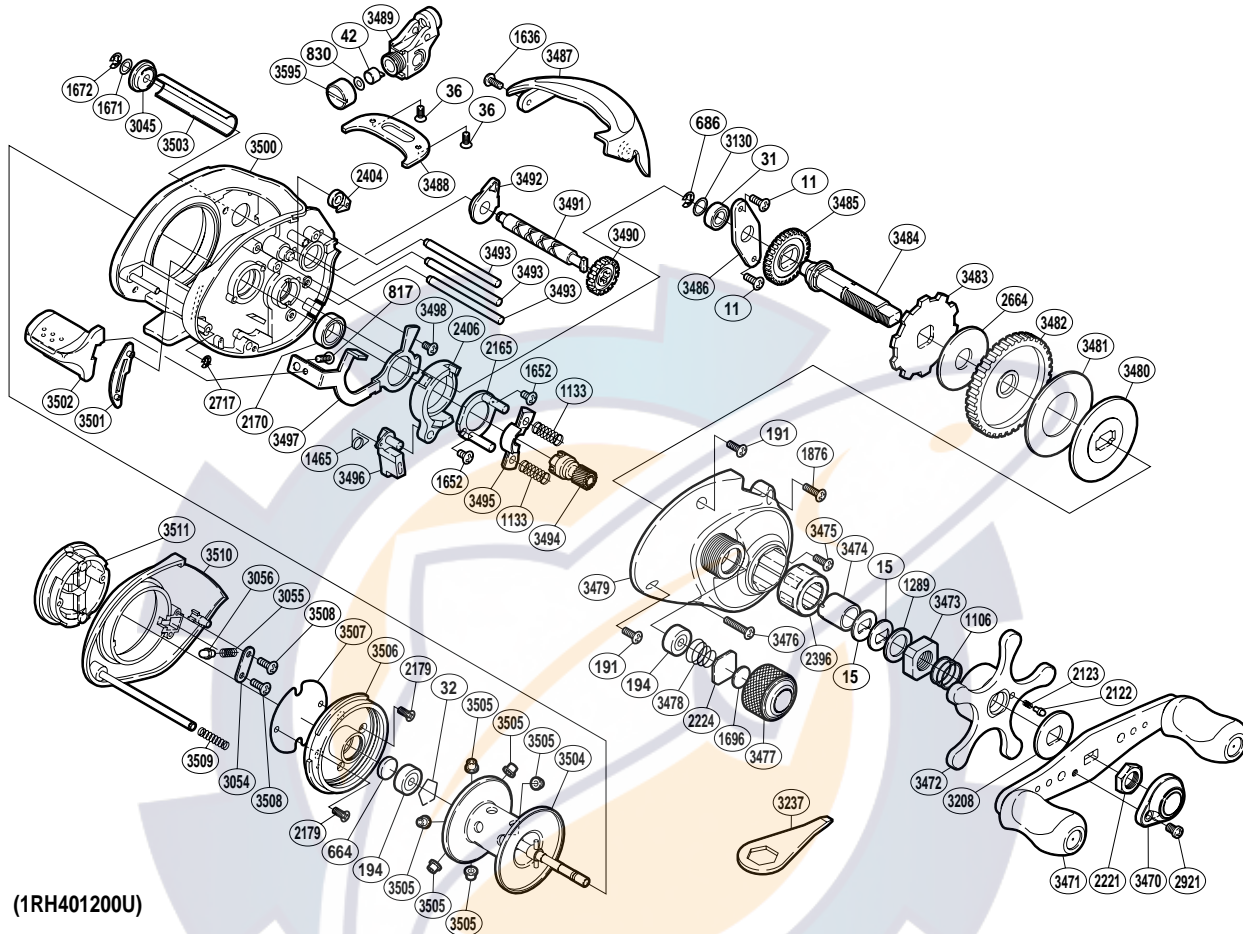


SHIMANO®

CITICA

CI-200D



(1RH401200U)

Part No.	Description	Part No.	Description	Part No.	Description
BNT0011	Screw	BNT2396	Roller Clutch Bearing	BNT3487	Thumb Rest
BNT0015	Drag Spring Washer	BNT2404	Anti-Reverse Pawl	BNT3488	Line Guard
BNT0031	Ball Bearing	BNT2406	Clutch Cam	BNT3489	Line Guide
BNT0032	Bearing Retainer	BNT2664	Drag Washer	BNT3490	Idle Gear C
BNT0036	Screw	BNT2717	E Lock	BNT3491	Worm Shaft
BNT0042	Line Guide Pawl	BNT2921	Screw	BNT3492	Worm Bushing A
BNT0191	Screw	BNT3045	Worm Bushing B	BNT3493	Stabilizer Bar
BNT0194	Ball Bearing	BNT3054	Click Pin Retainer	BNT3494	Pinion Gear
BNT0664	Spacer B	BNT3055	Click Spring	BNT3495	Yoke
BNT0686	E Lock	BNT3056	Click Pin	BNT3496	Clutch Pawl
BNT0817	Screw	BNT3130	Washer	BNT3497	Clutch Plate
BNT0830	Spacer	BNT3208	Star Drag Click Plate	BNT3498	Screw
BNT1106	Star Drag Spring	BNT3470	Handle Nut Plate	BNT3500	One-Piece Frame
BNT1133	Yoke Spring	BNT3471	Handle Assembly	BNT3501	Clutch Bar Guide
BNT1289	Star Drag Spacer	BNT3472	Star Drag	BNT3502	Quick-Fire II Clutch Bar
BNT1465	Clutch Pawl Spring	BNT3473	Star Drag Nut	BNT3503	Level Wind Guard
BNT1636	Screw	BNT3474	Roller Clutch Inner Tube	BNT3504	Spool Assembly
BNT1652	Screw	BNT3475	Screw	BNT3505	Brake Collar (Red)
BNT1671	Washer	BNT3476	Screw	BNT3506	Brake Case
BNT1672	E Lock	BNT3477	Cast Control Cap	BNT3507	Brake Case Spacer
BNT1696	Cast Control Spacer	BNT3478	Spool Tension Spring	BNT3508	Screw
BNT1876	Screw	BNT3479	Right Side Plate	BNT3509	Side Plate Spring
BNT2122	Click Pin	BNT3480	Key Washer	BNT3510	Left Side Plate
BNT2123	Click Spring	BNT3481	Drag Washer	BNT3511	Turnkey Dial
BNT2165	Clutch Cam Retainer	BNT3482	Drive Gear	BNT3595	Pawl Cap
BNT2170	Ball Bearing	BNT3483	Anti-Reverse Ratchet		
BNT2179	Screw	BNT3484	Drive Shaft		
BNT2221	Handle Nut	BNT3485	Idle Gear A		
BNT2224	Spool Tension Spacer	BNT3486	Drive Shaft Retainer	BNT3237	Wrench (accessory)