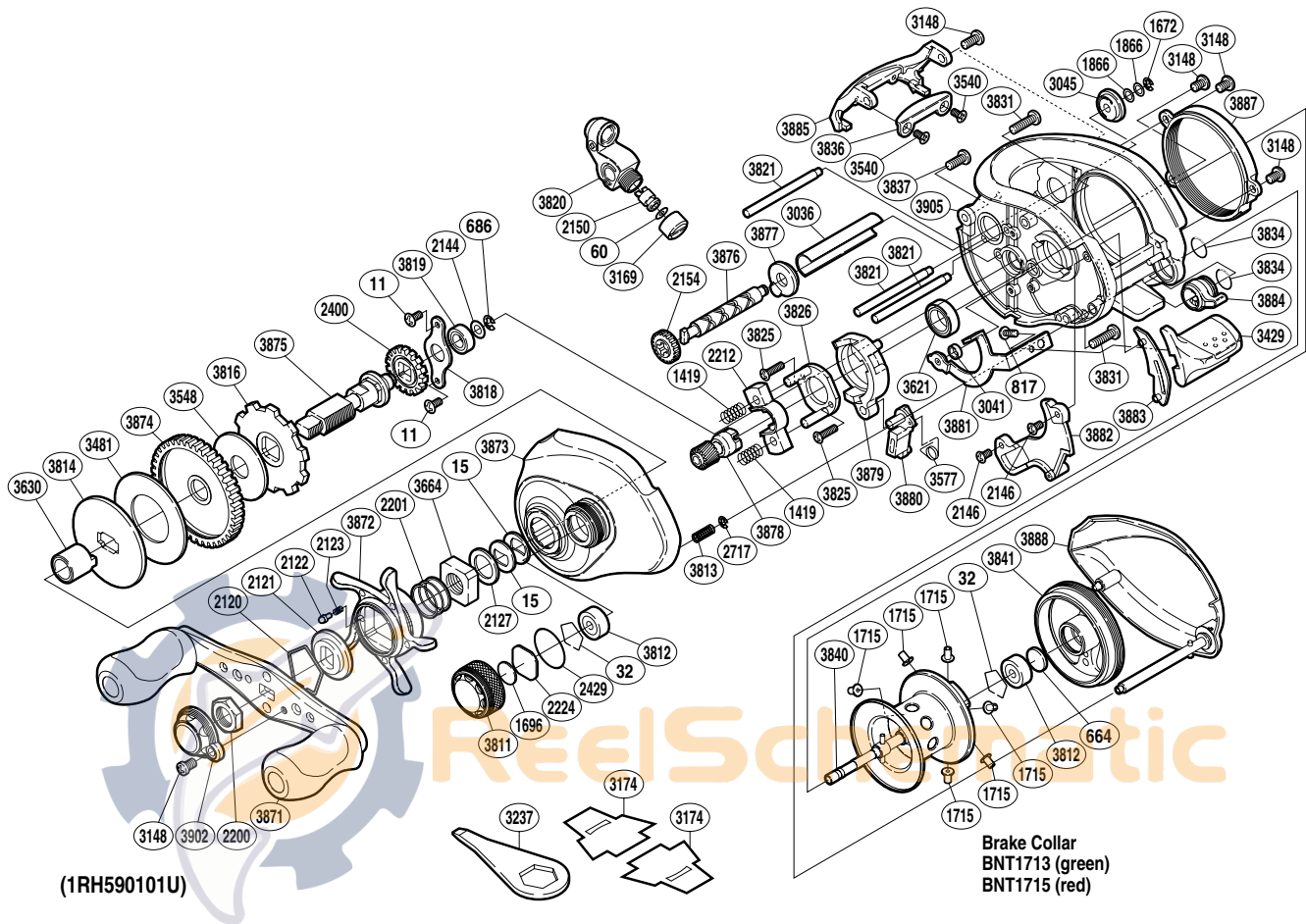


SHIMANO

CORE S A-RB

COR-101MG



Part No.	Description	Part No.	Description	Part No.	Description
BNT0011	Screw	BNT2717	E Lock	BNT3836	Line Guard Retainer
BNT0015	Drag Spring Washer	BNT3036	Level Wind Guard	BNT3837	Screw
BNT0032	Bearing Retainer	BNT3041	Clutch Plate Shaft Support	BNT3840	Spool Assembly
BNT0060	Spacer	BNT3045	Worm Bushing B	BNT3841	Brake Case
BNT0664	Spacer B	BNT3148	Screw	BNT3871	Handle Assembly
BNT0686	E Lock	BNT3169	Pawl Cap	BNT3872	Star Drag
BNT0817	Screw	BNT3429	Quick-Fire II Clutch Bar	BNT3873	Left Side Plate
BNT1419	Yoke Spring	BNT3481	Drag Washer	BNT3874	Drive Gear
BNT1672	E Lock	BNT3540	Screw	BNT3875	Drive Shaft
BNT1696	Cast Control Spacer	BNT3548	Drag Washer	BNT3876	Worm Shaft
BNT1715	Brake Collar (red)	BNT3577	Clutch Pawl Spring	BNT3877	Worm Bushing A
BNT1866	Spacer	BNT3621	Ball Bearing	BNT3878	Pinion Gear
BNT2120	Click Plate Retainer	BNT3630	Roller Clutch Inner Tube	BNT3879	Clutch Cam
BNT2121	Star Drag Click	BNT3664	Star Drag Nut	BNT3880	Clutch Pawl
BNT2122	Click Pin	BNT3811	Cast Control Cap	BNT3881	Clutch Plate
BNT2123	Click Spring	BNT3812	Ball Bearing	BNT3882	Clutch Guard
BNT2127	Star Drag Spacer	BNT3813	Damper Spring	BNT3883	Clutch Bar Guide B
BNT2144	Washer	BNT3814	Key Washer	BNT3884	Side Plate Cam Lever
BNT2146	Screw	BNT3816	Anti-Reverse Ratchet	BNT3885	Level Wind Protector
BNT2150	Line Guide Pawl	BNT3818	Drive Shaft Retainer	BNT3887	Side Frame Plate
BNT2154	Idle Gear	BNT3819	Ball Bearing	BNT3888	Right Side Plate
BNT2200	Handle Nut	BNT3820	Line Guide	BNT3902	Handle Retainer
BNT2201	Star Drag Spring	BNT3821	Level Wind Guide	BNT3905	One-Piece Frame
BNT2212	Yoke	BNT3825	Screw		
BNT2224	Spool Tension Spacer	BNT3826	Clutch Cam Retainer	BNT1713	Brake Collar (green) (accessory)
BNT2400	Idle Gear	BNT3831	Screw	BNT3174	Reel Seat Spacer (accessory)
BNT2429	O Ring	BNT3834	O Ring	BNT3237	Wrench (accessory)