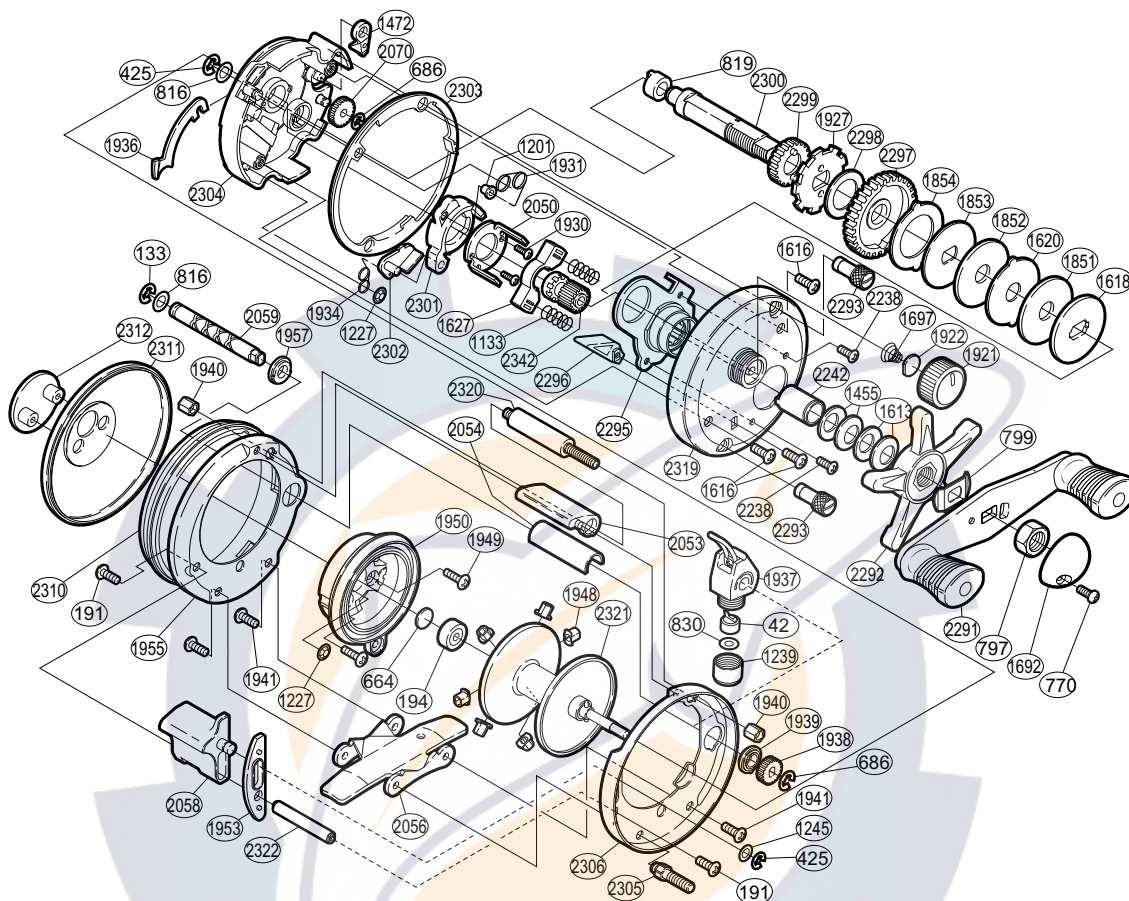


SHIMANO®

CORSAIR®

CS-200A



Part No.	Description	Part No.	Description	Part No.	Description
BNT0042	Line Guide Pawl	BNT1851	Drag Washer (C)	BNT2059	Worm Shaft
BNT0133	"E" Lock	BNT1852	Drag Washer (B-2)	BNT2070	Idle Gear (B)
BNT0191	Clutch Bar Support Screw	BNT1853	Key Washer (A)	BNT2238	Bush Plate Screw
BNT0194	Ball Bearing	BNT1854	Eared Washer (B-1)	BNT2242	Roller Clutch Inner Tube
BNT0425	"E" Lock	BNT1921	Cast Control Cap	BNT2291	Handle Assembly
BNT0664	Spacer B	BNT1922	Cast Control Spacer	BNT2292	Star Drag
BNT0686	"E" Lock	BNT1927	Anti-Reverse Ratchet	BNT2293	Right Side Plate Nut
BNT0770	Handle Nut Plate Screw	BNT1930	Clutch Cam Screw	BNT2295	Roller Clutch Assembly
BNT0797	Handle Nut	BNT1931	Retractor Spring	BNT2296	Return Pin Guide
BNT0799	Friction Washer	BNT1934	Clutch Pawl Spring	BNT2297	Drive Gear
BNT0816	Shaft Washer	BNT1936	Clutch Plate	BNT2298	Drive Shaft Washer (B)
BNT0819	Drive Shaft Bushing	BNT1937	Line Guide Assembly	BNT2299	Idle Gear (A)
BNT0830	Spacer (optional)	BNT1938	Idle Gear (C)	BNT2300	Drive Shaft
BNT1133	Yoke Spring	BNT1939	Worm Bushing (A)	BNT2301	Clutch Cam
BNT1201	Retractor Spring Collar	BNT1940	Frame Nut	BNT2302	Clutch Pawl
BNT1227	Push Nut (SPN-2)	BNT1941	Stand Screw	BNT2303	A-Side Seal
BNT1239	Pawl Cap	BNT1948	Brake Collar	BNT2304	Set Plate
BNT1245	Clutch Bar Support Spacer	BNT1949	Left Side Plate Screw	BNT2305	Stand Bolt
BNT1455	Drag Spring Washer (H)	BNT1950	Brake Case	BNT2306	Right Side Frame
BNT1472	Anti-Reverse Pawl	BNT1953	Clutch Bar Guide	BNT2310	B-Side Seal
BNT1613	Drag Spring Washer (L)	BNT1955	Left Side Frame	BNT2311	Left Side Plate
BNT1616	Right Side Plate Screw	BNT1957	Worm Bushing (B)	BNT2312	Left Side I.D. Plate
BNT1618	Key Washer (C)	BNT2050	Clutch Cam Retainer	BNT2319	Right Side Plate
BNT1620	Eared Washer	BNT2053	Thumb Rest	BNT2320	Frame Bar
BNT1627	Yoke	BNT2054	Level Wind Guard	BNT2321	Spool Assembly
BNT1692	Handle Nut Plate	BNT2056	Stand	BNT2322	Clutch Bar Support
BNT1697	Spool Tension Spring	BNT2058	Quick-Fire II Clutch Bar	2342	Pinion Gear