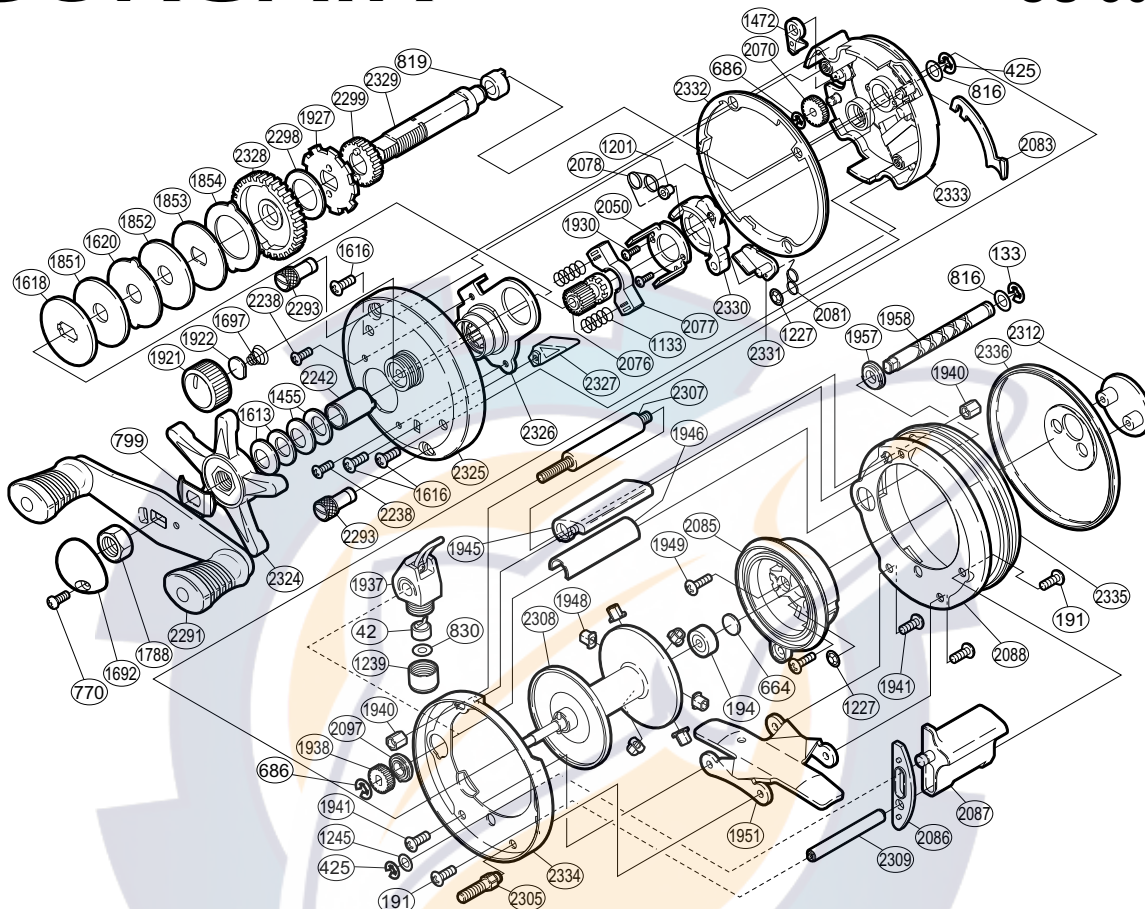


# SHIMANO®

## CORSAIR®

CS-301A



Part No.	Description	Part No.	Description	Part No.	Description
BNT0042	Line Guide Pawl	BNT1852	Drag Washer (B-2)	BNT2087	Quick-Fire II Clutch Bar
BNT0133	"E" Lock	BNT1853	Key Washer (A)	BNT2088	Right Side Frame
BNT0191	Clutch Bar Support Screw	BNT1854	Eared Washer (B-1)	BNT2097	Worm Bushing (A)
BNT0194	Ball Bearing	BNT1921	Cast Control Cap	BNT2238	Bush Plate Screw
BNT0425	"E" Lock	BNT1922	Cast Control Spacer	BNT2242	Roller Clutch Inner Tube
BNT0664	Spacer B	BNT1927	Anti-Reverse Ratchet	BNT2291	Handle Assembly
BNT0686	"E" Lock	BNT1930	Clutch Cam Screw	BNT2293	Left Side Plate Nut
BNT0770	Handle Nut Plate Screw	BNT1937	Line Guide Assembly	BNT2298	Drive Shaft Washer (B)
BNT0799	Friction Washer	BNT1938	Idle Gear (C)	BNT2299	Idle Gear (A)
BNT0816	Shaft Washer	BNT1940	Frame Nut	BNT2305	Stand Bolt
BNT0819	Drive Shaft Bushing	BNT1941	Stand Screw	BNT2307	Frame Bar
BNT0830	Spacer (optional)	BNT1945	Thumb Rest	BNT2308	Spool Assembly
BNT1133	Yoke Spring	BNT1946	Level Wind Guard	BNT2309	Clutch Bar Support
BNT1201	Retractor Spring Collar	BNT1948	Brake Collar	BNT2312	Right Side I.D. Plate
BNT1227	Push Nut (SPN-2)	BNT1949	Right Side Plate Screw	BNT2324	Star Drag
BNT1239	Pawl Cap	BNT1951	Stand	BNT2325	Left Side Plate
BNT1245	Clutch Bar Support Spacer	BNT1957	Worm Bushing (B)	BNT2326	Roller Clutch Assembly
BNT1455	Drag Spring Washer (H)	BNT1958	Worm Shaft	BNT2327	Return Pin Guide
BNT1472	Anti-Reverse Pawl	BNT2050	Clutch Cam Retainer	BNT2328	Drive Gear
BNT1613	Drag Spring Washer (L)	BNT2070	Idle Gear (B)	BNT2329	Drive Shaft
BNT1616	Left Side Plate Screw	BNT2076	Pinion Gear	BNT2330	Clutch Cam
BNT1618	Key Washer (C)	BNT2077	Yoke	BNT2331	Clutch Pawl
BNT1620	Eared Washer	BNT2078	Retractor Spring	BNT2332	A-Side Seal
BNT1692	Handle Nut Plate	BNT2081	Clutch Pawl Spring	BNT2333	Set Plate
BNT1697	Spool Tension Spring	BNT2083	Clutch Plate	BNT2334	Left Side Frame
BNT1788	Handle Nut	BNT2085	Brake Case	BNT2335	B-Side Seal
BNT1851	Drag Washer (C)	BNT2086	Clutch Bar Guide	BNT2336	Right Side Plate