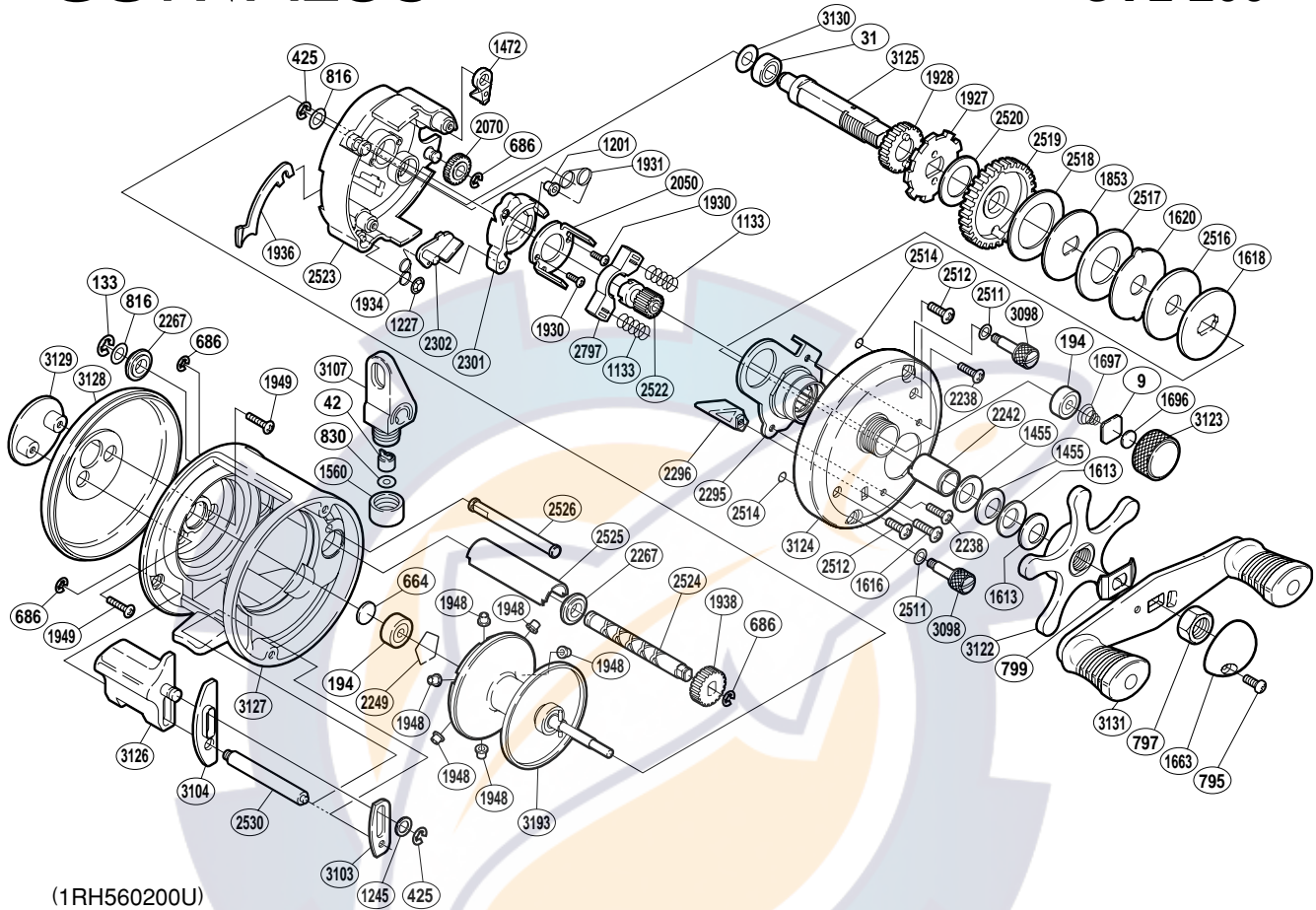


SHIMANO®

CORVALUS

CVL-200



(1RH560200U)

| Part No. | Description | Part No. | Description | Part No. | Description |
|----------|-------------------------|----------|--------------------------|----------|---------------------------|
| BNT0009 | Spacer | BNT1697 | Spool Tension Spring | BNT2518 | Drag Washer BG |
| BNT0031 | Ball Bearing | BNT1853 | Key Washer A | BNT2519 | Drive Gear |
| BNT0042 | Line Guide Pawl | BNT1927 | Anti-Reverse Ratchet | BNT2520 | Drive Shaft Washer B |
| BNT0133 | E Lock | BNT1928 | Idle Gear A | BNT2522 | Pinion Gear |
| BNT0194 | Ball Bearing | BNT1930 | Screw | BNT2523 | Set Plate |
| BNT0425 | E Lock | BNT1931 | Retractor Spring | BNT2524 | Worm Shaft |
| BNT0664 | Spacer B | BNT1934 | Clutch Pawl Spring | BNT2525 | Level Wind Guard |
| BNT0686 | E Lock | BNT1936 | Clutch Plate | BNT2526 | Stabilizer Bar |
| BNT0795 | Screw | BNT1938 | Idle Gear C | BNT2530 | Clutch Button Support Bar |
| BNT0797 | Handle Nut | BNT1948 | Brake Collar | BNT2797 | Yoke |
| BNT0799 | Friction Washer | BNT1949 | Screw | BNT3098 | Side Plate Nut |
| BNT0816 | Washer | BNT2050 | Clutch Cam Retainer | BNT3103 | Clutch Button Guide A |
| BNT0830 | Spacer | BNT2070 | Idle Gear B | BNT3104 | Clutch Button Guide B |
| BNT1133 | Yoke Spring | BNT2238 | Screw | BNT3107 | Line Guide |
| BNT1201 | Retractor Spring Collar | BNT2242 | Roller Clutch Inner Tube | BNT3122 | Star Drag |
| BNT1227 | Push Nut (SPN-2) | BNT2249 | Bearing Retainer | BNT3123 | Cast Control Cap |
| BNT1245 | Spacer | BNT2267 | Worm Bushing B | BNT3124 | Right Side Plate |
| BNT1455 | Drag Spring Washer H | BNT2295 | Roller Clutch Assembly | BNT3125 | Drive Shaft |
| BNT1472 | Anti-Reverse Pawl | BNT2296 | Return Pin Guide | BNT3126 | Quick-Fire II Clutch Bar |
| BNT1560 | Pawl Cap | BNT2301 | Clutch Cam | BNT3127 | One-Piece Frame |
| BNT1613 | Drag Spring Washer L | BNT2302 | Clutch Pawl | BNT3128 | Left Side Plate |
| BNT1616 | Screw | BNT2511 | Washer | BNT3129 | Side I.D. Plate |
| BNT1618 | Key Washer C | BNT2512 | Screw | BNT3130 | Washer |
| BNT1620 | Eared Washer | BNT2514 | O Ring | BNT3131 | Handle Assembly |
| BNT1663 | Handle Nut Plate | BNT2516 | Drag Washer AG | BNT3193 | Spool Assembly |
| BNT1696 | Spacer | BNT2517 | Drag Washer CG | | |