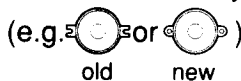
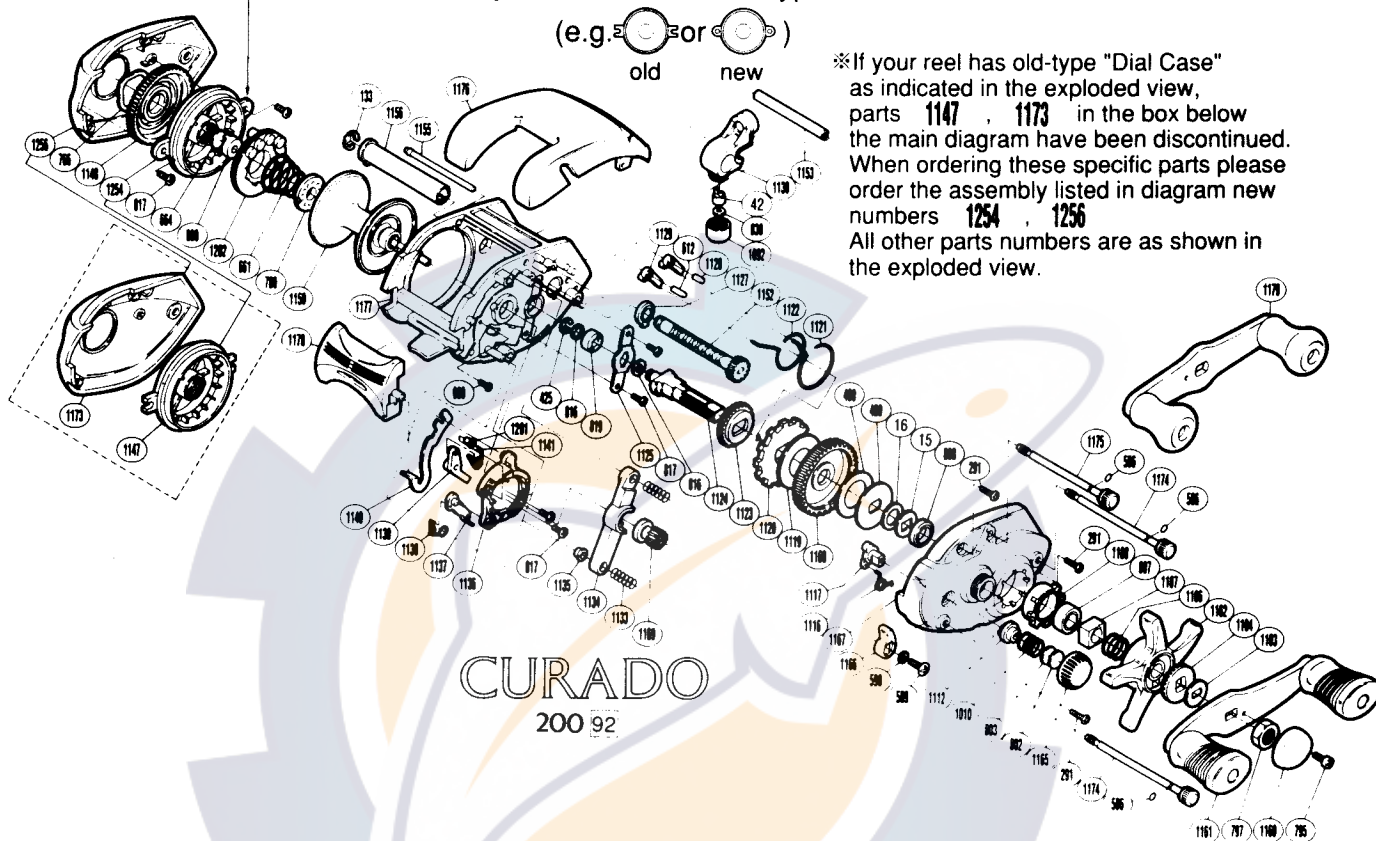


※Please check this eared part of the "Dial Case"
here to see whether you have old or new-type reel.



※If your reel has old-type "Dial Case" as indicated in the exploded view, parts 1147, 1173 in the box below the main diagram have been discontinued. When ordering these specific parts please order the assembly listed in diagram new numbers 1254, 1256. All other parts numbers are as shown in the exploded view.



BNT No.	PARTS NAMES	BNT No.	PARTS NAMES	BNT No.	PARTS NAMES
0015	Drag Spring Washer	1103	Friction Washer (A)	1153	Stabilizer Bar
0016	Friction Washer (C)	1104	Click Gear	1155	Thumb Rest Support
0042	Line Guide Pawl	1106	Star Drag Spring	1156	Level Wind Guard
0133	Worm Shaft Retainer	1107	Star Drag Nut	1159	Spool Assembly
0291	Right Side Plate Screw	1108	Bearing Holder	1160	Handle Nut Cover
0425	Drive Shaft Lock	1112	Spool Shaft Bushing (A)	1161	Twin Power Handle Assembly
0489	Key Washer (A)	1116	Cam Spring	1162	Star Drag
0490	Drag Washer (B)	1117	Flipping Cam	1165	Cast Control Cap
0586	Bolt Retainer	1119	Drag Washer (A)	1166	Flipping Lever
0589	Flipping Lever Screw	1120	Anti-Reverse Ratchet	1167	Right Side Plate
0590	Lock Washer	1121	Anti-Reverse Pawl Spring (B)	1168	Drive Gear
0609	Clutch Plate Retainer Screw	1122	Anti-Reverse Pawl Spring (A)	1169	Pinion Gear
0612	Anti-Reverse Pawl Pin (A)	1123	Idle Gear	1174	Side Plate Bolt (A)
0681	Magnet Retainer Spring	1124	Drive Shaft	1175	Side Plate Bolt (B)
0664	Spacer (B)	1125	Drive Shaft Retainer	1176	Thumb Rest
0766	Dial Friction Washer	1127	Worm Bearing	1177	One-Piece Frame
0780	Magnet Retainer Lock	1128	Anti-Reverse Pawl Pin (B)	1178	Quick-Fire II Clutch Bar
0795	Handle Nut Cover Screw	1129	Anti-Reverse Pawl	1179	Handle Assembly (spare)
0797	Handle Nut	1130	Line Guide	1201	Retractor Spring Collar
0802	Spool Tension Spacer (B)	1133	Yoke Spring	1202	Magnet Retainer
0803	Spool Tension Spacer (A)	1134	Yoke	1254	Dial Case
0807	Drive Shaft Bearing	1135	Yoke Spacer	1256	Left Side Plate
0808	Friction Washer (B)	1136	Clutch Cam		
0816	Drive Shaft Washer	1137	Clutch Pawl		
0817	Multi Purpose Screw	1138	Clutch Pawl Spring		
0819	Drive Shaft Bushing	1139	Joint Plate		
0830	Spacer (optional)	1140	Clutch Plate		
0880	Spool Shaft Bushing (B)	1141	Retractor Spring		
1010	Spool Tension Spring	1148	Magnetic Control Dial	1147	Dial Case
1092	Pawl Cap	1152	Worm Shaft	1173	Left Side Plate