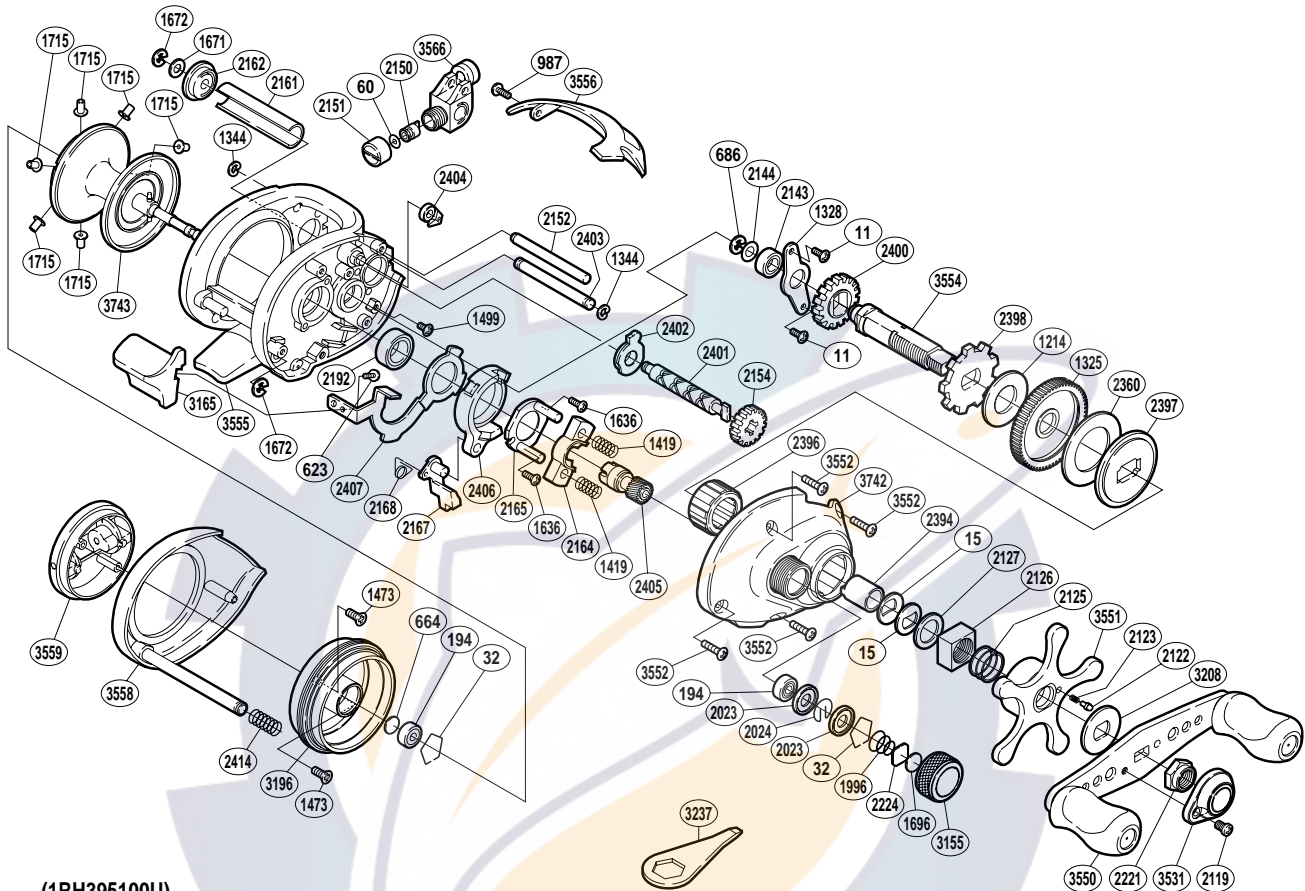


SHIMANO®

CURADO

CU-100DSV



(1RH395100U)

| Part No. | Description | Part No. | Description | Part No. | Description |
|----------|-------------------------|----------|--------------------------|----------|--------------------------|
| BNT0011 | Screw | BNT2123 | Click Spring | BNT2402 | Worm Bushing A |
| BNT0015 | Drag Spring Washer | BNT2125 | Star Drag Spring | BNT2403 | Line Guard |
| BNT0032 | Bearing Retainer | BNT2126 | Star Drag Nut | BNT2404 | Anti-Reverse Pawl |
| BNT0060 | Spacer | BNT2127 | Star Drag Spacer | BNT2405 | Pinion Gear |
| BNT0194 | Ball Bearing | BNT2143 | Ball Bearing | BNT2406 | Clutch Cam |
| BNT0623 | Screw | BNT2144 | Washer | BNT2407 | Clutch Plate |
| BNT0664 | Spacer B | BNT2150 | Line Guide Pawl | BNT2414 | Side Plate Spring |
| BNT0686 | E Lock | BNT2151 | Pawl Cap | BNT3155 | Cast Control Cap |
| BNT0987 | Screw | BNT2152 | Level Wind Guide | BNT3165 | Quick-Fire II Clutch Bar |
| BNT1214 | Drag Washer | BNT2154 | Idle Gear | BNT3196 | Brake Case |
| BNT1325 | Drive Gear | BNT2161 | Level Wind Guard | BNT3208 | Star Drag Click Plate |
| BNT1328 | Drive Shaft Retainer | BNT2162 | Worm Bushing B | BNT3531 | Handle Nut Plate |
| BNT1344 | C Lock | BNT2164 | Yoke | BNT3550 | Handle Assembly |
| BNT1419 | Yoke Spring | BNT2165 | Clutch Cam Retainer | BNT3551 | Star Drag |
| BNT1473 | Screw | BNT2167 | Clutch Pawl | BNT3552 | Screw |
| BNT1499 | Screw | BNT2168 | Clutch Pawl Spring | BNT3554 | Drive Shaft |
| BNT1636 | Screw | BNT2192 | Ball Bearing | BNT3555 | One-Piece Frame |
| BNT1671 | Washer | BNT2221 | Handle Nut | BNT3556 | Thumb Rest |
| BNT1672 | E Lock | BNT2224 | Spool Tension Spacer | BNT3558 | Left Side Plate |
| BNT1696 | Cast Control Spacer | BNT2360 | Drag Washer | BNT3559 | Turnkey Dial |
| BNT1715 | Brake Collar (red) | BNT2394 | Roller Clutch Inner Tube | BNT3566 | Line Guide |
| BNT1996 | Spool Tension Spring | BNT2396 | Roller Clutch Bearing | BNT3742 | Right Side Plate |
| BNT2023 | Spool Shaft Clip Holder | BNT2397 | Key Washer | BNT3743 | Spool Assembly |
| BNT2024 | Spool Shaft Clip | BNT2398 | Anti-Reverse Ratchet | | |
| BNT2119 | Screw | BNT2400 | Idle Gear A | | |
| BNT2122 | Click Pin | BNT2401 | Worm Shaft | BNT3237 | Wrench (accessory) |