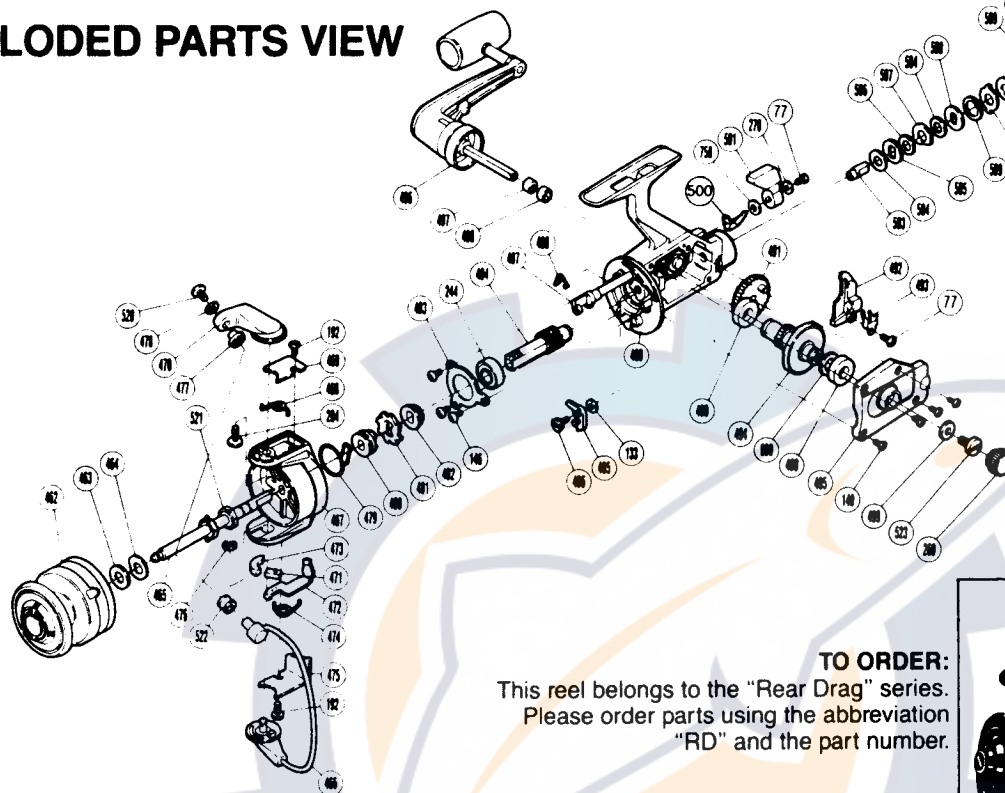


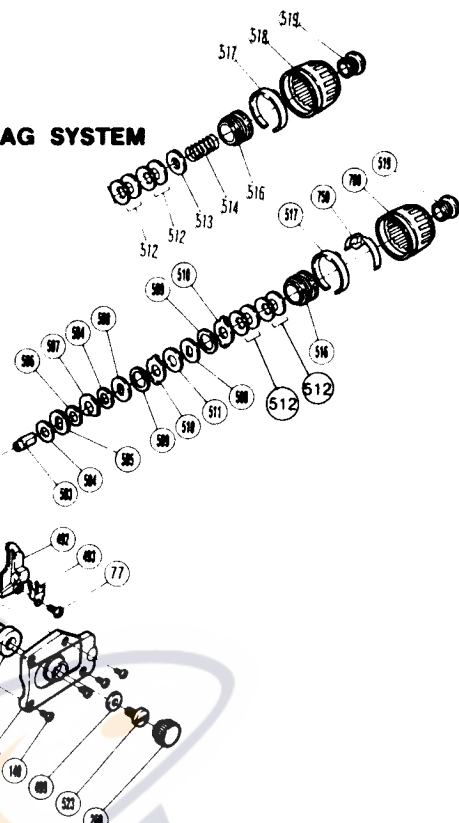
## 1987 REPAIR MANUAL

Shimano American Corporation, One Shimano Dr.  
Irvine, CA 92718

### EXPLODED PARTS VIEW

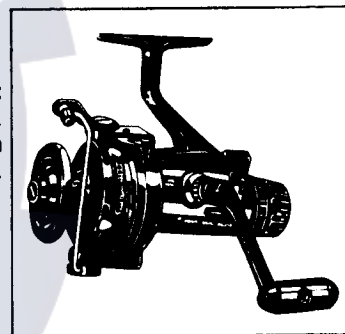


### OLDER DRAG SYSTEM



#### TO ORDER:

This reel belongs to the "Rear Drag" series.  
Please order parts using the abbreviation  
"RD" and the part number.



# CUSTOM 4000

## PARTS LIST

#### PART# DESCRIPTION

- 77. Anti Reverse Lever Screw
- 133. Anti Reverse Dog Spacer
- 140. Side Plate Screw
- 146. Bearing Retainer Screw
- 192. Cover Screw
- 204. Bail Mount Screw
- 244. Ball Bearing
- 260. Dust Cap
- 270. Lock Washer (orig. 524)
- 462. Spool
- 463. Spool Spacer
- 464. Tension Spring
- 465. Spindle
- 466. Bail Wire
- 467. Rotor
- 468. Bail Spring
- 469. Bail Spring Cover
- 470. Bail Mount
- 471. Trip Plate Guide
- 472. Trip Plate
- 473. Trip Plate Cam
- 474. Trip Plate Spring
- 475. Trip Plate Cover
- 476. "E" Lock
- 477. Line Guide Spacer

#### PART# DESCRIPTION

- 478. Guide Screw Lock Washer
- 479. Rotor Stop Spring
- 480. Stop Spring Arbor
- 481. Anti Reverse Ratchet
- 482. Ratchet Spacer
- 483. Bearing Lock
- 484. Pinion Gear
- 485. Anti Reverse Dog
- 486. Anti Reverse Dog Screw
- 487. Anti Reverse Shaft
- 488. Anti Reverse Shaft Spring
- 489. Housing
- 490. Drive Gear Bushing
- 491. Oscillation Gear
- 492. Oscillation Block
- 493. Oscillation Guide
- 494. Drive Gear
- 495. Side Plate
- 496. Handle
- 497. Handle Shaft Bushing
- 498. Bushing Ring
- 499. Handle Screw Lock Washer
- 500. Drag Knob Click Spring \*
- 501. Anti Reverse Lever
- 503. Drag Shaft

#### PART# DESCRIPTION

- 504. Drag Washer A
- 505. Ratchet Washer
- 506. Drag Washer C
- 507. Keyed Washer 2
- 508. D Washer
- 509. Drag Washer D
- 510. Keyed Washer 1
- 511. Drag Washer B
- 512. Coned Disc Spring
- 513. Lock Washer
- 514. Lock Spring
- 516. Spring Housing
- 517. Stop Ring
- 518. Drag Adjusting Knob
- 519. Drag Screw
- 520. Bail Wire Screw
- 521. Rotor Nut
- 522. Roller Line Guide
- 523. Handle Screw
- 525. Oscillation Guide Screw
- 690. Drive Gear Spacer**
- 758. Anti Reverse Lever Washer('85)
- 759. Drag Knob Click Spring('85)**
- 760. Drag Knob ('85)**

\*not on reels using 758

Prices and specifications subject to change without notice